

DEWALT®

xxx UK

Переклад оригінальних інструкцій

D25981

English (original instructions)

6

Українська (переклад оригінальних інструкцій)

11

Fig. / Рис. А

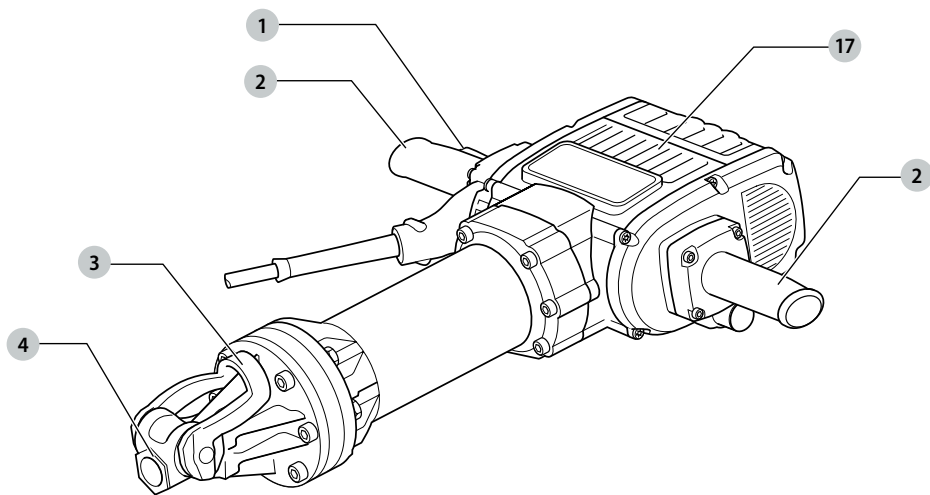


Fig. / Рис. В

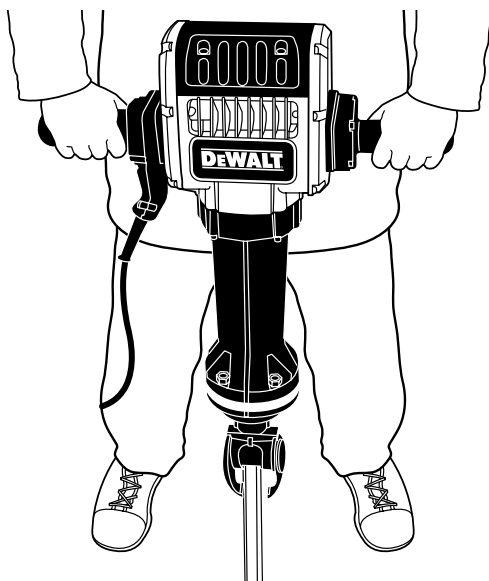


Fig. / Рис. С

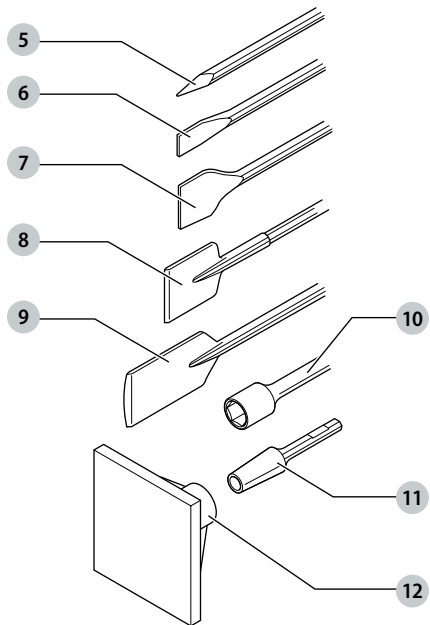


Fig. / Рис. D

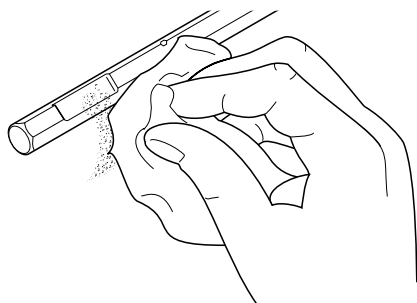


Fig. / Рис. E

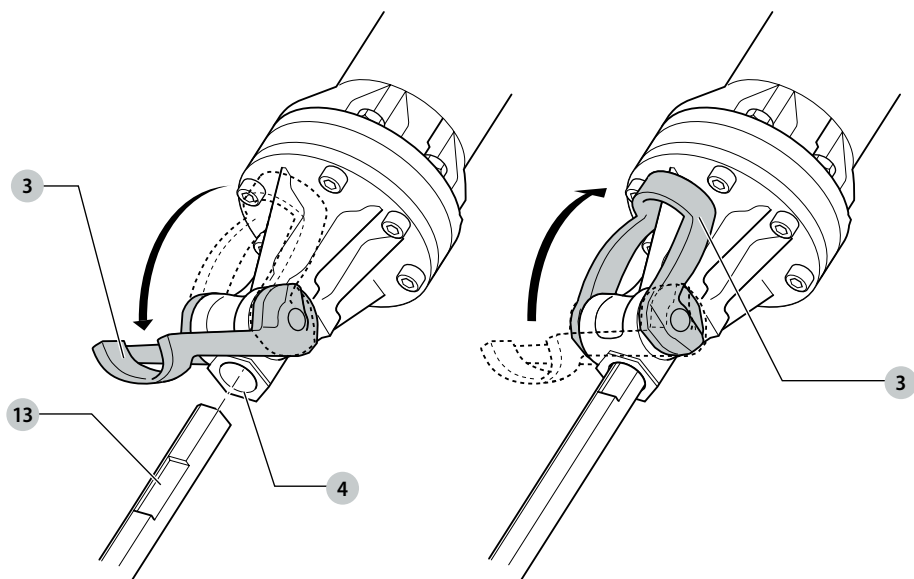


Fig. / Рис. F

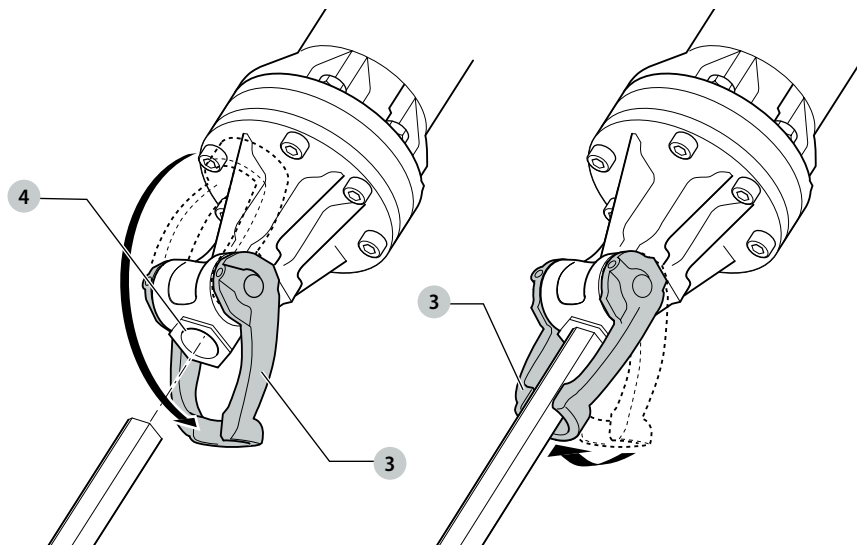
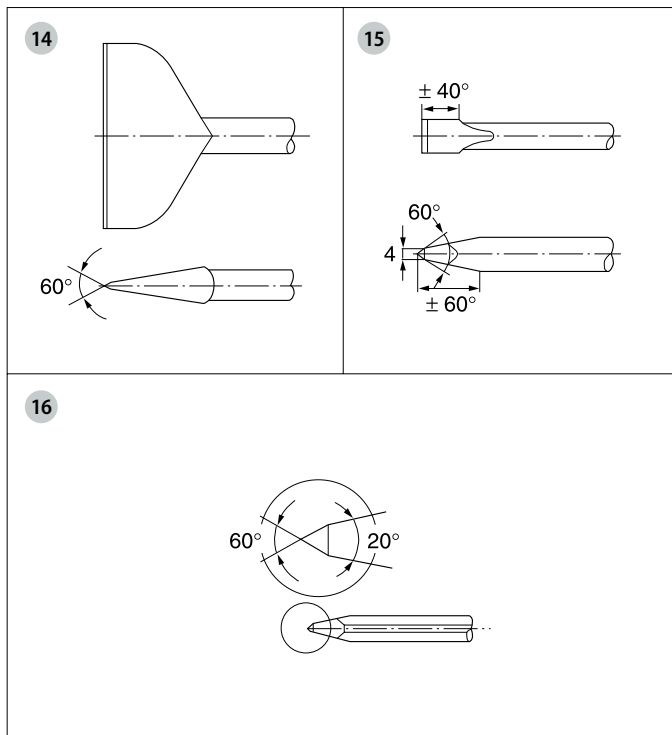


Fig. / Рис. G



30 KILO BREAKER

D25981

Congratulations!

You have chosen a DeWALT tool. Years of experience, thorough product development and innovation make DeWALT one of the most reliable partners for professional power tool users.

Technical Data

		D25981
Voltage	V _{AC}	230
UK & Ireland	V _{AC}	230/115
Type		1
Frequency	Hz	50
Power input	W	2100
No-load beats per minute	BPM	960
Single impact energy (EPTA 05/2009)	J	62
Tool holder		28 mm hex
Weight	kg	31

Noise values and vibration values (triax vector sum) according to EN60745-2-6:

L _{PA} (emission sound pressure level)	dB(A)	94
L _{WA} (sound power level)	dB(A)	105
K (uncertainty for the given sound level)	dB(A)	3
Chiselling		
Vibration emission value a _{h,M} =	m/s ²	4.8
Uncertainty K =	m/s ²	1.5

The vibration emission level given in this information sheet has been measured in accordance with a standardised test given in EN60745 and may be used to compare one tool with another. It may be used for a preliminary assessment of exposure.



WARNING: The declared vibration emission level represents the main applications of the tool. However if the tool is used for different applications, with different accessories or poorly maintained, the vibration emission may differ. This may significantly increase the exposure level over the total working period.

An estimation of the level of exposure to vibration should also take into account the times when the tool is switched off or when it is running but not actually doing the job. This may significantly reduce the exposure level over the total working period.

Identify additional safety measures to protect the operator from the effects of vibration such as: maintain the tool and the accessories, keep the hands warm, organisation of work patterns.

Fuses:		
Europe	230V tools	10 Amperes. mains
U.K. & Ireland	230V tools	13 Amperes. in plugs

EC-Declaration of Conformity

Machinery Directive Outdoor Noise Directive



Breaker D25981

DeWALT declares that these products described under **Technical Data** are in compliance with:

2006/42/EC, EN60745-1:2009+A11:2010, EN60745-2-6:2010
2000/14/EC, Electrical concrete breaker (hand-held), m ≥ 30 kg, Annex VIII, TÜV Rheinland LGA Products GmbH (0197), D-90431 Nürnberg, Germany, Notified Body ID No.: 0197.

Level of sound power according to 2000/14/EC (Article 12, Annex III, No. 10; m ≥ 30 kg):

L_{WA} (measured sound power level) dB 105

L_{WA} (guaranteed sound power level) dB 108

These products also comply with Directive 2014/30/EU and 2011/65/EU. For more information, please contact DeWALT at the following address or refer to the back of the manual.

The undersigned is responsible for compilation of the technical file and makes this declaration on behalf of DeWALT.

Markus Rompel
Director Engineering
DeWALT, Richard-Klinger-Straße 11,
D-65510, Idstein, Germany
30.10.2016



WARNING: To reduce the risk of injury, read the instruction manual.

Definitions: Safety Guidelines

The definitions below describe the level of severity for each signal word. Please read the manual and pay attention to these symbols.



DANGER: Indicates an imminently hazardous situation which, if not avoided, **will** result in **death or serious injury**.



WARNING: Indicates a potentially hazardous situation which, if not avoided, **could** result in **death or serious injury**.



CAUTION: Indicates a potentially hazardous situation which, if not avoided, **may** result in **minor or moderate injury**.

NOTICE: Indicates a practice **not related to personal injury** which, if not avoided, **may** result in **property damage**.



Denotes risk of electric shock.



Denotes risk of fire.

General Power Tool Safety Warnings



WARNING: Read all safety warnings, instructions, illustrations and specifications provided with this power tool. Failure to follow all instructions listed below may result in electric shock, fire and/or serious injury.

SAVE ALL WARNINGS AND INSTRUCTIONS FOR FUTURE REFERENCE

The term "power tool" in the warnings refers to your mains-operated (corded) power tool or battery-operated (cordless) power tool.

1) Work area safety

- a) **Keep work area clean and well lit.** Cluttered or dark areas invite accidents.
- b) **Do not operate power tools in explosive atmospheres, such as in the presence of flammable liquids, gases or dust.** Power tools create sparks which may ignite the dust or fumes.
- c) **Keep children and bystanders away while operating a power tool.** Distractions can cause you to lose control.

2) Electrical safety

- a) **Power tool plugs must match the outlet. Never modify the plug in any way. Do not use any adapter plugs with earthed (grounded) power tools.** Unmodified plugs and matching outlets will reduce risk of electric shock.
- b) **Avoid body contact with earthed or grounded surfaces such as pipes, radiators, ranges and refrigerators.** There is an increased risk of electric shock if your body is earthed or grounded.
- c) **Do not expose power tools to rain or wet conditions.** Water entering a power tool will increase the risk of electric shock.
- d) **Do not abuse the cord. Never use the cord for carrying, pulling or unplugging the power tool. Keep cord away from heat, oil, sharp edges or moving parts.** Damaged or entangled cords increase the risk of electric shock.
- e) **When operating a power tool outdoors, use an extension cord suitable for outdoor use.** Use of a cord suitable for outdoor use reduces the risk of electric shock.
- f) **If operating a power tool in a damp location is unavoidable, use a residual current device (RCD) protected supply.** Use of an RCD reduces the risk of electric shock.

3) Personal safety

- a) **Stay alert, watch what you are doing and use common sense when operating a power tool. Do not use a power tool while you are tired or under the influence of drugs, alcohol or medication.** A moment of inattention while operating power tools may result in serious personal injury.
- b) **Use personal protective equipment. Always wear eye protection.** Protective equipment such as dust mask, non-

skid safety shoes, hard hat, or hearing protection used for appropriate conditions will reduce personal injuries.

- c) **Prevent unintentional starting. Ensure the switch is in the off position before connecting to power source and/or battery pack, picking up or carrying the tool.** Carrying power tools with your finger on the switch or energising power tools that have the switch on invites accidents.
- d) **Remove any adjusting key or wrench before turning the power tool on.** A wrench or a key left attached to a rotating part of the power tool may result in personal injury.
- e) **Do not overreach. Keep proper footing and balance at all times.** This enables better control of the power tool in unexpected situations.
- f) **Dress properly. Do not wear loose clothing or jewellery. Keep your hair, clothing and gloves away from moving parts.** Loose clothes, jewellery or long hair can be caught in moving parts.
- g) **If devices are provided for the connection of dust extraction and collection facilities, ensure these are connected and properly used.** Use of dust collection can reduce dust-related hazards.

4) Power tool use and care

- a) **Do not force the power tool. Use the correct power tool for your application.** The correct power tool will do the job better and safer at the rate for which it was designed.
- b) **Do not use the power tool if the switch does not turn it on and off.** Any power tool that cannot be controlled with the switch is dangerous and must be repaired.
- c) **Disconnect the plug from the power source and/or the battery pack from the power tool before making any adjustments, changing accessories, or storing power tools.** Such preventive safety measures reduce the risk of starting the power tool accidentally.
- d) **Store idle power tools out of the reach of children and do not allow persons unfamiliar with the power tool or these instructions to operate the power tool.** Power tools are dangerous in the hands of untrained users.
- e) **Maintain power tools. Check for misalignment or binding of moving parts, breakage of parts and any other condition that may affect the power tool's operation. If damaged, have the power tool repaired before use.** Many accidents are caused by poorly maintained power tools.
- f) **Keep cutting tools sharp and clean.** Properly maintained cutting tools with sharp cutting edges are less likely to bind and are easier to control.
- g) **Use the power tool, accessories and tool bits etc., in accordance with these instructions taking into account the working conditions and the work to be performed.** Use of the power tool for operations different from those intended could result in a hazardous situation.

5) Service

- a) **Have your power tool serviced by a qualified repair person using only identical replacement parts.** This will ensure that the safety of the power tool is maintained.

Additional Specific Safety Rules for Breakers

- Ensure the chisel is secured in place before operating the tool.
- In cold-weather conditions or when the tool has not been used for a longer period of time, let the tool run with no load for several minutes before use.
- Always hold the tool firmly with both hands and ensure a secure stance. Always operate the tool with the side handle properly mounted.
- When working above ground level ensure the area below is clear.
- To prevent electric shock, check the working area for live wires before operation.
- Do not touch the chisel or the parts close to the chisel immediately after operation, as they may be extremely hot and cause burns to the skin.
- Always direct the power cable to the rear, away from the chisel.
- Keep the power cable away from the accessory. A power cable wrapped around the bit may cause electric shock.
- Do not wrap the power cable around your body.
- Do not allow inexperienced users to use this tool.
- Wear ear protectors. Exposure to noise can cause hearing loss.
- Use auxiliary handles supplied with the tool. Loss of control can cause personal injury.
- Do not strike jammed accessories with a hammer to dislodge them. Fragments of metal or material chips could dislodge and cause injury.
- Always switch off the tool when work is finished and before unplugging.
- Do not recondition accessories yourself. Chisel reconditioning should be done by a qualified specialist. Improperly reconditioned accessories could cause injury. Only slightly worn accessories can be resharpened by grinding.



WARNING: We recommend the use of a residual current device with a residual current rating of 30 mA or less.

Residual Risks

The following risks are inherent to the use of breakers:

- Injuries caused by touching the hot parts of the tool.
- In spite of the application of the relevant safety regulations and the implementation of safety devices, certain residual risks cannot be avoided. These are:
- Impairment of hearing.
 - Risk of squeezing fingers when changing the accessory.
 - Health hazards caused by breathing dust developed when working in concrete and/or masonry.
 - Physical trauma due to inappropriate lifting and carrying of heavy equipment.

Electrical Safety

The electric motor has been designed for one voltage only. Always check that the power supply corresponds to the voltage on the rating plate.



Your DeWALT tool is double insulated in accordance with EN60745; therefore no earth wire is required.



WARNING: 115 V units have to be operated via a fail-safe isolating transformer with an earth screen between the primary and secondary winding.

If the supply cord is damaged, it must be replaced by a specially prepared cord available through the DeWALT service organisation.

Mains Plug Replacement (U.K. & Ireland Only)

If a new mains plug needs to be fitted:

- Safely dispose of the old plug.
- Connect the brown lead to the live terminal in the plug.
- Connect the blue lead to the neutral terminal.



WARNING: No connection is to be made to the earth terminal.

Follow the fitting instructions supplied with good quality plugs. Recommended fuse: 13 A.

Using an Extension Cable

An extension cord should not be used unless absolutely necessary. Use an approved extension cable suitable for the power input of your charger (see **Technical Data**). The minimum conductor size is 1.5 mm²; the maximum length is 30 m.

When using a cable reel, always unwind the cable completely.

Package Contents

The package contains:

- 1 Breaker
- 1 Instruction manual
- Check for damage to the tool, parts or accessories which may have occurred during transport.
- Take the time to thoroughly read and understand this manual prior to operation.

Markings on Tool

The following pictograms are shown on the tool:



Read instruction manual before use.



Wear ear protection.



Wear eye protection.

Date Code Position (Fig. A)

The date code **17**, which also includes the year of manufacture, is printed into the housing.

Example:

2016 XX XX
Year of Manufacture

Description (Fig. A)



WARNING: Never modify the power tool or any part of it. Damage or personal injury could result.

- 1 On/off switch
- 2 Side handle(s)
- 3 Tool retainer
- 4 Tool holder

Optional accessories (Fig. C)

Various types of 28 mm hex. chisels are available as an option.

- 5 Pointed chisel
- 6 Cold chisel
- 7 Scaling tool
- 8 Spade chisel
- 9 Asphalt cutter
- 10 Driver ground rod
- 11 Shank tamper
- 12 Plate tamper

Consult your dealer for further information on the appropriate accessories.

Intended Use

Your breaker has been designed for professional heavy duty demolition, chipping and chasing applications in concrete, brick, stone and other masonry materials.

DO NOT use under wet conditions or in the presence of flammable liquids or gases.

These breakers are professional power tools.

DO NOT let children come into contact with the tool.

Supervision is required when inexperienced operators use this tool.

- **Young children and the infirm.** This appliance is not intended for use by young children or infirm persons without supervision.
- This product is not intended for use by persons (including children) suffering from diminished physical, sensory or mental abilities; lack of experience, knowledge or skills unless they are supervised by a person responsible for their safety. Children should never be left alone with this product.

Soft Start Feature

The soft start feature allows the impact rate to build up more slowly, thus preventing the chisel or point from "bouncing" around on the masonry when starting up.

Fully Vibration-dampened Handles (Fig. A)

The dampers in the handles **2** absorb the vibrations transmitted to the user. This improves user comfort during the operation.

Active Vibration Control

The active vibration control neutralises rebound vibration from the breaker mechanism. Lowering hand and arm vibration, it

allows more comfortable use for longer periods of time and extends the life of the unit.

ASSEMBLY AND ADJUSTMENTS



WARNING: To reduce the risk of serious personal injury, turn tool off and disconnect tool from power source before making any adjustments or removing/installing attachments or accessories. Be sure the trigger switch is in the OFF position. An accidental start-up can cause injury.

Inserting and Removing 28 mm Hex Accessories (Fig. D–F)

This machine uses chisels with a 28 mm hex. shank. We recommend to use professional accessories only.



WARNING: Since accessories other than those offered by DEWALT have not been tested with this product, the use of such accessories may entail hazardous situations. To reduce the risk of injury, use only accessories recommended by DEWALT.

Clean the chisel shank.



WARNING: Do not apply lubricant to the machine.

To fit a chisel with groove in the shank, proceed as follows (Fig. E)

1. Pull the tool retainer **3** to the unlock position.
2. Hold the chisel in front of the tool holder with the groove **13** facing upwards.
3. Insert the chisel shank into the tool holder **4**.
4. Push the retainer **3** backwards to lock the accessory in position.

To fit a chisel with collar on the shank, proceed as follows (Fig. F)

1. Pull the tool retainer **3** to the unlock position.
2. Insert the chisel shank into the tool holder **4**.
3. Push the retainer **3** in line with the accessory shank to lock the accessory in position.
4. Pull on the chisel to check if it is properly locked. The hammering function requires the chisel to be able to move axially several centimetres when locked in the tool holder.

To remove a chisel pull back the retainer **3** and pull the chisel out of the tool holder.



WARNING: Always wear gloves when you change accessories. The exposed metal parts on the tool and accessory may become extremely hot during operation.

OPERATION

Instructions for Use



WARNING: Always observe the safety instructions and applicable regulations.



WARNING: To reduce the risk of serious personal injury, turn tool off and disconnect tool from power source before making any adjustments or removing/

installing attachments or accessories. Be sure the trigger switch is in the OFF position. An accidental start-up can cause injury.



WARNING:

- Be aware of the location of pipework and wiring.
- Apply a pressure of approximately 20–30 kg to the tool. Excessive force does not speed up chiselling but decreases tool performance and may shorten tool life.

Proper Hand Position (Fig. A, B)



WARNING: To reduce the risk of serious personal injury, **ALWAYS** use proper hand position as shown.



WARNING: To reduce the risk of serious personal injury, **ALWAYS** hold securely in anticipation of a sudden reaction.

Proper hand position requires one hand on each side handle **2**.

Switching On and Off (Fig. A)

To run the tool, press the on/off switch **1**.

To stop the tool, release the switch.

Demolition, Chasing and Channelling (Fig. A–F)

1. Select the appropriate chisel and clean its shank.
2. Insert the chisel and check whether it is properly locked.
3. Hold the tool using both handles **2** and turn on. The tool now runs in continuous operation.

MAINTENANCE

Your DEWALT power tool has been designed to operate over a long period of time with a minimum of maintenance. Continuous satisfactory operation depends upon proper tool care and regular cleaning.



WARNING: To reduce the risk of serious personal injury, turn tool off and disconnect tool from power source before making any adjustments or removing/installing attachments or accessories. Be sure the trigger switch is in the OFF position. An accidental start-up can cause injury.



Lubrication

Your power tool requires no additional lubrication.



Cleaning



WARNING: Blow dirt and dust out of the main housing with dry air as often as dirt is seen collecting in and around the air vents. Wear approved eye protection and approved dust mask when performing this procedure.



WARNING: Never use solvents or other harsh chemicals for cleaning the non-metallic parts of the tool. These chemicals may weaken the materials used in these parts. Use a cloth dampened only with water and mild soap. Never let any liquid get inside the tool; never immerse any part of the tool into a liquid.

Optional Accessories



WARNING: Since accessories, other than those offered by DEWALT, have not been tested with this product, use of such accessories with this tool could be hazardous. To reduce the risk of injury, only DEWALT recommended accessories should be used with this product.



WARNING: These chisels can be reground only a limited number of times. If in doubt, contact your dealer for recommendations.



WARNING: Ensure that the cutting edge does not show discolouration caused by too much pressure. This may impair the hardness of the accessory.

Accessory Maintenance

Accessory maintenance at the right time guarantees optimal results in application and a long and efficient accessory life.

Grind the chisels on grinding discs. Refer to figure G for the appropriate angles of the following chisels:

14 spade-shaped chisel

15 cold chisel

16 pointed chisel

Consult your dealer for further information on the appropriate accessories.

Protecting the Environment



Separate collection. Products and batteries marked with this symbol must not be disposed of with normal household waste.

Products and batteries contain materials that can be recovered or recycled reducing the demand for raw materials. Please recycle electrical products and batteries according to local provisions. Further information is available at www.2helpU.com.

ВІДБІЙНИЙ МОЛОТОК 30 КГ D25981

Вітаємо вас!

Ви обрали інструмент DeWALT. Великий досвід компанії у розробці інструментів та постійна робота над їх вдосконаленням роблять компанію DeWALT надійним партнером професійних користувачів.

Технічні характеристики

		D25981
Напруга	V_{AC}	230
Великобританія та Ірландія	V_{AC}	230/115
Тип		1
Частота	Гц	50
Вхідна потужність	Вт	2100
Ударів за хв. без навантаження	уд./хв.	960
Одиниця ударної енергії (EPTA 05/2009)	J	62
Тримач насадок		28 мм шестигранний
Маса	кг	31

Значення рівня шуму та вібрації (триаксимальна векторна сума) відповідно до стандарту EN60745-2-6:

L_{PA} (рівень тиску звукового випромінювання)	дБ(A)	94
L_{WA} (рівень звукового тиску)	дБ(A)	105
K (похибка для даного рівня гучності)	дБ(A)	3
Робота долотом		
Значення вібрації $a_{h,M}$	м/с ²	4,8
Похибка K	м/с ²	1,5

Значення вібрації, що наведено в цьому документі, було виміряне згідно зі стандартизованим тестом, викладеним у стандарті EN60745, та може використовуватись для порівняння інструментів. Це значення вібрації можна також використовувати для попередньої оцінки впливу вібрації.

⚠ УВАГА! *Задеклароване значення вібрації відповідає основному використанню інструменту. Але якщо інструмент використовується для виконання інших завдань, з іншими витратними матеріалами/ аксесуарами або погано обслуговується, значення вібрації може відрізнятись. Це може значно збільшити рівень впливу протягом усього періоду роботи. Оцінка рівню впливу вібрації має враховувати час вимкнень інструменту та роботу інструменту без виконання певних завдань. Це може значно збільшити рівень впливу протягом усього періоду роботи. Визначення додаткових заходів безпеки для захисту оператора від впливу вібрації: технічне обслуговування інструменту та аксесуарів, утримання рук у теплі, організація режиму роботи.*

Запобіжники:

Європа	Інструменти 230 В	10 ампер, мережа живлення
Великобританія та Ірландія	Інструменти 230 В	13 ампер, на вилках

Декларація про відповідність ЄС

**Директива про механічне обладнання
Директива щодо шумів, що виникають
поза приміщеннями**



Відбійний молоток D25981

Компанія DeWALT заявляє, що ці продукти, описані у розділі

Технічні дані відповідають:

2006/42/EC, EN60745-1:2009+A11:2010, EN60745-2-6:2010 2000/14/EC, електричний бетонолом (переносний), $m \geq 30$ кг, Додаток VIII, TÜV Rheinland LGA Products GmbH (0197), D-90431 Nürnberg, Німеччина, ідентифікаційний № уповноваженого органу: 0197.

Рівень акустичної потужності відповідно до 2000/14/EC (Стаття 12, Додаток III, № 10; $m \geq 30$ кг):

L_{WA} (виміряний рівень акустичної потужності) дБ 105
 L_{WA} (гарантований рівень акустичної потужності) дБ 108

Ці продукти також відповідають вимогам Директив 2014/30/EU і 2011/65/EU. Для отримання додаткової інформації, будь ласка, зверніться до компанії DeWALT за наступною адресою або прочитайте інформацію на зворотній стороні цього керівництва.

Нижчепідписаний несе відповідальність за упорядкування файлу технічних характеристик та робить цю заяву від імені компанії DeWALT.

Маркус Ромпель (Markus Rompel)
технічний директор
DeWALT, Richard-Klinger-Straße 11,
D-65510, Idstein, Німеччина
30.10.2016



УВАГА! *Уважно прочитайте керівництво з експлуатації для зниження ризику отримання травм.*

Позначення: інструкції з техніки безпеки

Умовні позначення, що наведені нижче, описують рівень серйозності кожного попереджувачого слова. Будь ласка, прочитайте керівництво та звертайте увагу на наступні символи.



НЕБЕЗПЕКА: вказує на безпосередню загрозу, яка, якщо її не уникнути, **приведе до смерті або серйозної травми.**



УВАГА! Вказує на потенційну загрозу, яка, якщо її не уникнути, **може** призвести до **смерті або серйозної травми.**



ОБЕРЕЖНО! Вказує на потенційну загрозу, яка, якщо її не уникнути, **може** призвести до **травми незначної або середньої важкості.**

ПРИМІТКА. Вказує на ситуацію, **не пов'язану з особистою травмою**, яка, якщо її не уникнути, **може** призвести до **пошкодження майна.**



Вказує на ризик ураження електричним струмом.



Вказує на ризик виникнення пожежі.

Загальні правила безпеки для електричного інструменту



УВАГА! Прочитайте всі попередження та інструкції з техніки безпеки, а також рисунки та специфікації щодо цього електричного інструменту. Невиконання всіх інструкцій, що наведені нижче, може призвести до ураження електричним струмом, пожежі та/або серйозних травм.

ЗБЕРЕЖІТЬ УСІ ПОПЕРЕДЖЕННЯ ТА ІНСТРУКЦІЇ ДЛЯ ВИКОРИСТАННЯ В МАЙБУТНЬОМУ

Термін «електричний інструмент» в усіх попередженнях стосується використовуваних вами інструментів, що працюють від мережі енергоспоживання (з використанням електричного кабелю) або акумуляторів (без кабелю).

1) Безпека робочої зони

- Тримайте робочу зону чистою та добре освітленою.** Неупорядковані та темні робочі зони збільшують ймовірність ймовірного випадку.
- Не використовуйте електричні інструменти у вибухонебезпечній атмосфері, наприклад, в присутності вогненебезпечних рідин, газів та пилу.** Електричні інструменти створюють іскри, що можуть запалити пил або випаровування.
- Тримайте дітей та сторонніх подалі під час використання інструменту.** Відвернення уваги може призвести до втрати контролю.

2) Електрична безпека

- Вилка електричного інструменту має відповідати розетці. Ніколи жодним чином не**

змінюйте вилку. Не використовуйте адаптери із заземленими електричними інструментами. Немодифіковані вилки та розетки, що підходять до них, зменшують ризик ураження електричним струмом.

- Уникайте контакту тіла з заземленими поверхнями, такими як труби, радіатори, плити та холодильники.** Якщо ваше тіло заземлене, збільшується ризик ураження електричним струмом.
- Не залишайте електричні інструменти під дощем або в умовах підвищеної вологості.** Вода, що потрапляє в електричний інструмент, підвищує ризик ураження електричним струмом.
- Не використовуйте кабель живлення не за призначенням. Ніколи не використовуйте шнур для перенесення, витягування та відключення від розетки живлення електричного інструмента. Тримайте шнур подалі від високих температур, масла, гострих предметів та рухомих деталей.** Пошкоджені або перекручені шнури підвищують ризик ураження електричним струмом.
- При використанні електричного інструменту на вулиці, використовуйте подовжувачий шнур, що підходить для використання на вулиці.** Використання шнура, що призначений для використання поза приміщенням, знижує ризик ураження електричним струмом.
- Якщо неможливо уникнути використання електричного інструменту в умовах підвищеної вологості, використовуйте живлення, захищене пристроєм залишкового струму (RCD).** Використання RCD знижує ризик ураження електричним струмом.

3) Особиста безпека

- Будьте в стані готовності, дивіться, що ви робите, та використовуйте загальний глузд, коли ви працюєте з електричним інструментом. Не використовуйте електричний інструмент, коли ви втомлені або знаходитесь під впливом наркотичних речовин, алкоголю або ліків.** Втрата уваги під час роботи з електричними інструментами може призвести до серйозних травм.
- Використовуйте особисті засоби безпеки. Завжди використовуйте засоби захисту очей.** Засоби безпеки, такі як протипилова маска, неслизькі безпечні черевики, захисний шолом та засоби захисту слухового апарату, які використані для відповідних умов, зменшують ймовірність особистих травм.
- Уникнення випадкового запуску. Переконайтесь в тому, що вимикач знаходиться в позиції вимк. перед підключенням до джерела живлення та/або акумулятора, переміщенням або перенесенням пристрою.** Перенесення

інструменту, тримаючи палець на вимикачі, або підключення живлення з перемикачем м в позиції Увімк. може призвести до нещасного випадку.

- d) **Зніміть всі налаштувальні ключі або зайкові ключі перед тим, як вмикати електричний інструмент.** Гайковий ключ, що залишився прикріпленим до якоїсь деталі електричного пристрою, що обертається, може призвести до травм.
- e) **Не перенапружуйтесь. Завжди утримуйте правильну постановку ніг і рівновагу.** Це дає вам змогу краще контролювати інструмент в неочікуваних ситуаціях.
- f) **Вдягайтеся відповідним чином. Не вдягайте вільний одяг або прикраси. Тримайте ваше волосся, одяг та рукавички подалі від рухомих деталей.** Вільний одяг, прикраси або довге волосся може зачепитися за рухомі деталі.
- g) **Якщо передбачені пристрої для підключення до засобів виділення та збирання пилу, переконайтеся, що вони правильно підключені та використовуються.** Використання таких пристроїв зменшує ризик виникнення небезпечних ситуацій, що пов'язані з потраплянням пилу.

4) Використання електричного інструмента та догляд за ним

- a) **Не використовуйте надмірні зусилля при роботі з інструментом. Використовуйте відповідний електричний інструмент для вашого застосування.** Правильно обраний інструмент виконає завдання краще та безпечніше за умов, для яких він був розроблений.
- b) **Не використовуйте інструмент, вмикач якого не вмикає та не вимикає його.** Будь-який електричний інструмент, який не може управлятися вмикачем, є небезпечним і має бути відремонтований.
- c) **Відключіть вилку від джерела живлення перед тим, як робити будь-які налаштування, зміни додаткового обладнання чи зберігати інструмент.** Ці профілактичні заходи зменшують ризик випадкового запуску електричного інструменту.
- d) **Бережіть вимкнені електричні інструменти від дітей та не дозволяйте особам, що не знайомі з електричним інструментом або цими інструкціями використовувати електричний інструмент.** Електричні інструменти є небезпечними, якщо вони використовуються некваліфікованими користувачами.
- e) **Технічне обслуговування електричних інструментів. Перевіряйте на відсутність вирівнювання або заїдання рухомих деталей, ушкоджених частин та інших умов, що можуть впливати на роботу електричного інструменту. Якщо є ушкодження,**

відремонтуйте електричний інструмент перед використанням. Багато нещасних випадків є результатом того, що інструмент не пройшов відповідного технічного обслуговування.

- f) **Тримайте ріжучі інструменти гострими та чистими.** Правильно доглянуті ріжучі інструменти з гострими ріжучими кромками мають меншу ймовірність заїдання, та ними легше керувати.
- g) **Використовуйте електричний інструмент, додаткові інструменти та деталі інструменту тощо у відповідності до цих інструкцій та відповідно до даного типу електричних інструментів, зважаючи на умови використання та роботу, яка має бути виконана.** Використання електричних інструментів не за призначенням може призвести до виникнення небезпечних ситуацій.

5) Обслуговування

- a) **Надавайте ваш електричний інструмент для обслуговування кваліфікованим спеціалістом з ремонту та використовуйте тільки ідентичні замініні деталі.** Це забезпечить безпеку електричного пристрою, що обслуговується.

Додаткові правила з техніки безпеки для відбійних молотків

- Перед роботою переконайтеся, що долото надійно закріплене.
- При використанні інструменту за умов холодної погоди або після тривалої перерви попередньо дайте інструменту можливість попрацювати без навантаження кілька хвилин.
- Завжди міцно тримайте інструмент обома руками та стежте за безпечним положенням ніг. Завжди використовуйте інструмент із правильно встановленою боковою рукою.
- При роботі вище рівня ґрунту спочатку переконайтеся, що на землі немає сторонніх предметів.
- Для уникнення ураження електричним струмом, перед початком робіт перевіряйте місце проведення робіт на наявність проводів під напругою.
- Не торкайтеся долота і деталей біля нього відразу після роботи, тому що вони можуть бути дуже гарячими, що може призвести до опіків шкіри.
- Кабель живлення завжди повинен знаходитись позаду пристрою подалі від долота.
- Тримайте електричний кабель подалі від насадки. Електричний кабель, намотаний на насадку, може стати причиною ураження електричним струмом.
- Не обертайте електричний кабель навколо свого тіла.
- Не допускайте недосвідчених користувачів до використання даного інструмента.
- Використовуйте засоби захисту слуху. Шум може викликати втрату слуху.

- Використовуйте додаткові ручки, що надаються з інструментом. Втрата контролю над інструментом може викликати травми.
- Не вибивайте затиснені насадки молотком, щоб їх вивільнити. Уламки металу або стружка можуть також відлітати і спричиняти травми.
- Завжди вимикайте інструмент, коли робота завершена, та перед відключенням від мережі живлення.
- Не ремонтуйте насадки самостійно. Ремонт насадок повинен виконуватися кваліфікованим спеціалістом. Неправильно відремонтовані насадки можуть спричинити травму. Трохи зношені насадки можна заточити за допомогою шліфування.



УВАГА! Ми рекомендуємо використовувати пристрій залишкового струму із залишковим струмом 30 МА або менше.

Залишкові ризики

Наступні ризики можуть залишитися при використанні відбійних молотків:

- травми через контакт з гарячими деталями інструменту.

Навіть при виконанні всіх відповідних правил техніки безпеки та використанні пристроїв безпеки неможливо уникнути деяких залишкових ризиків. А саме:

- Порушення слуху.
- Ризик затиснення пальців при заміні насадок.
- небезпека для здоров'я через вдихання пилу, що утворюється при свердлінні бетону та/або кладки.
- Фізична травма, отримана в результаті підйому і перенесення важкого устаткування.

Електрична безпека

Електричний двигун розроблений для роботи лише з одним значенням напруги. Завжди перевіряйте відповідність джерела живлення напрузі, яка вказана на табличці з паспортними даними.



Ваш інструмент виробництва компанії DeWALT має подвійну ізоляцію відповідно до EN60745; тому заземлення не є необхідним.



УВАГА! Пристрої з напругою 115 В необхідно контролювати шляхом надійного розділового трансформатора з екраном заземлення між первинною та вторинною обмотками.

Якщо кабель живлення пошкоджений, його необхідно замінити на спеціальний кабель, який доступний через офіційні сервісні центри DeWALT.

Заміна мережевої вилки (тільки для Великобританії та Ірландії)

Якщо нові шнури живлення мають бути прилаштовані:

- Зніміть стару вилку та утилізуйте її, дотримуючись правил техніки безпеки.
- Приєднайте коричневий провідник до активного виходу вилки.

- Приєднайте блакитний провідник до нейтрального виходу.



УВАГА! Жоден провідник не повинен бути підключений до клеми заземлення.

Дотримуйтеся інструкцій щодо налаштування, що постачаються з якісними вилками. Плавкий запобіжник, що рекомендується: 13 А.

Використання електричного подовжувача

Використовуйте подовжуючий шнур лише за умови, що це абсолютно необхідно. Використовуйте лише рекомендований подовжуючий шнур, що відповідає споживаній потужності вашого зарядного пристрою (див. **Технічні дані**). Мінімальний розмір провідника становить 1,5 мм²; максимальна довжина — 30 м.

У разі використання кабельного барабану завжди витягуйте весь кабель.

Комплект поставки

Комплект містить:

- 1 Відбійний молоток
 - 1 Керівництво з експлуатації
- Перевірте інструмент, деталі та аксесуари на пошкодження, що могли виникнути під час транспортування.
 - Перед використанням уважно прочитайте та повністю зрозумійте це керівництво.

Маркування інструменту

На інструменті є наступні піктограми:



Прочитайте інструкції цього керівництва перед використанням.



Використовуйте засоби захисту слуху.



Використовуйте засоби захисту очей.

Розташування коду дати (рис. А)

Код дати **17**, що включає також рік виробництва, наноситься на корпус.

Приклад:

2016 XX XX

Рік виробництва

Опис (рис. А)



УВАГА! Ніколи не модифікуйте електричні інструменти та їх деталі. Інакше вони можуть стати причиною пошкодження майна або травм.

- 1 Вимикач
- 2 Бокова ручка (ручки)
- 3 Фіксатор насадки
- 4 Тримач насадок

Додаткові аксесуари (рис. С)

Можна додатково придбати різні типи 28 мм доліт з шестигранними хвостовиками.

- 5 Конічне долото
- 6 Звичайне долото
- 7 Насадка для очищення від накипу
- 8 Лопатоподібне долото
- 9 Насадка для зняття асфальту
- 10 Стрижневе долото
- 11 Хвостовик насадки для трамбування
- 12 Плоска насадка для трамбування

Зверніться до свого дилера для отримання подальшої інформації щодо відповідних аксесуарів.

Область застосування

Ваш відбійний молоток призначений для професійних робіт у важкому режимі з руйнування, дроблення і довбання бетону, цегли, каменю та інших будівельних матеріалів.

НЕ використовуйте за умов підвищеної вологості або у присутності легкозаймистих рідин та газів.

Ці відбійні молотки призначені для професійного використання.

НЕ дозволяйте дітям підходити та торкатися інструмента.

При використанні інструменту недосвідченими операторами необхідний нагляд.

- **Діти та хворі люди.** Цей пристрій не призначений для використання дітьми та хворими людьми без нагляду.
- Цей виріб не призначений для використання особами (включаючи дітей) із зниженими фізичними, сенсорними або розумовими можливостями або особами, яким бракує досвіду або знань за винятком випадків, коли такі особи працюють під наглядом особи, яка несе відповідальність за їх безпеку. Не можна залишати дітей наодинці з цим пристроєм.

Функція м'якого старту

Завдяки функції м'якого старту швидкість довбання наростає поступово, що дає можливість уникнути нестабільності долота при запуску.


Антивібраційні ручки (рис. А)

Амортизатори ручок 2 поглинають вібрацію, що передається оператору. Це збільшує комфорт при використанні інструменту.

Контроль активної вібрації

Контроль активної вібрації нейтралізує вібрацію механізму ударного молотка. Зниження впливу вібрації на руки оператора забезпечує зручність експлуатації інструменту протягом тривалої роботи і збільшує термін служби інструменту.


ЗБИРАННЯ ТА НАЛАШТУВАННЯ

 **УВАГА!** Щоб знизити ризик серйозних травм, вимкніть інструмент та відключіть його від мережі живлення перед виконанням будь-яких


налаштувань або змінням/встановленням насадок або аксесуарів. Переконайтеся, що вимикач знаходиться в положенні Вимк. Випадковий запуск може призвести до травм.

Установка та зняття шестигранних насадок 28 мм (рис. D–F)

Цей інструмент використовується з долотами з шестигранними хвостовиками 28 мм. Ми рекомендуємо використовувати лише професійні аксесуари.

 **УВАГА!** Через те, що інші аксесуари, що не рекомендовані компанією DeWALT, не були перевірені з цим пристроєм, використання таких аксесуарів може бути небезпечним. Для зниження ризику отримання травми, використовуйте тільки аксесуари, рекомендовані компанією DeWALT.

Очистіть хвостовик долота.

 **УВАГА!** Ваш інструмент не потребує додаткового змащування.


Що встановити долото, що мають хвостовик з канавкою, виконайте наступні дії (рис. E)

1. Переведіть фіксатор насадки 3 в положення розблокування.
2. Тримайте долото перед тримачем насадок так, щоб канавка 13 була направлена вгору.
3. Вставте хвостовик долота у тримач насадок 4.
4. Переведіть фіксатор 3 назад, щоб заблокувати насадку на місці.

Що встановити долото, що має муфту на хвостовику, виконайте наступні дії (рис. F)


1. Переведіть фіксатор насадки 3 в положення розблокування.
2. Вставте хвостовик долота у тримач насадок 4.
3. Переведіть фіксатор 3 так, щоб він вирівнявся з хвостовиком насадки для блокування насадки на місці.
4. Потягніть за долото, щоб переконатися, що воно добре зафіксовано. Функція удару вимагає, щоб долото рухалося по осі на кілька сантиметрів після того, як воно заблоковано у тримачі насадок.


Щоб зняти долото потягніть назад фіксатор 3 та витягніть долото з тримача.

 **УВАГА!** Завжди використовуйте рукавиці при зміні насадок. Відкриті металеві деталі інструменту та насадки можуть бути дуже жаркими під час роботи.

РОБОТА

Інструкції з використанням

 **УВАГА!** Завжди дотримуйтеся всіх інструкцій з техніки безпеки та відповідних норм.

 **УВАГА!** Щоб знизити ризик серйозних травм, вимкніть інструмент та відключіть його від

мережі живлення перед виконанням будь-яких налаштувань або зміненням/встановленням насадок або аксесуарів. Переконайтесь, що вимикач знаходиться в положенні Вимк. Випадковий запуск може призвести до травм.



УВАГА!

- Стежте за розташуванням труб та проводки.
- Застосовуйте до інструмента тиск приблизно 20–30 кг. Надмірне зусилля не прискорює додання, але знижує продуктивність інструменту та може скоротити його термін служби.

Вірне положення рук (рис. А, В)



УВАГА! Щоб знизити ризик серйозних травм, **ЗАВЖДИ** правильно розташуйте руки, як показано.



УВАГА! Щоб знизити ризик серйозних травм, **ЗАВЖДИ** добре тримайте інструмент, щоб попередити випадкову віддачу.

Правильне положення рук полягає в тому, щоб обидві руки знаходились на бокових ручках 2.

Увімкнення/вимкнення (рис. А)

Щоб увімкнути інструмент, натисніть на перемикач Увімк./Вимк. 1.

Щоб зупинити інструмент, відпустіть вимикач.

Руйнування, додання і вирізання пазів (рис. А–F)

1. Оберіть відповідне долото та очистіть його хвостовик.
2. Вставте долото і перевірте, що воно добре зафіксовано.
3. Утримуйте інструмент за обидві ручки 2 та увімкніть його. Інструмент почне працювати у безперервному режимі.

ТЕХНІЧНЕ ОБСЛУГОВУВАННЯ

Ваш інструмент виробництва компанії DeWALT призначений для роботи протягом довгого часу з мінімальним обслуговуванням. Довга задовільна робота приладу залежить від належного обслуговування приладу та регулярного його очищення.



УВАГА! Щоб знизити ризик серйозних травм, **вимкніть інструмент та відключіть його від мережі живлення перед виконанням будь-яких налаштувань або зміненням/встановленням насадок або аксесуарів.** Переконайтесь, що вимикач знаходиться в положенні Вимк. Випадковий запуск може призвести до травм.



Змачування

Ваш електричний інструмент не вимагає додаткового змачування.



Очищення



УВАГА! Видавайте бруд та пил зсередини основного корпусу за допомогою сухого повітря, коли пил та бруд стають помітними та починають збиратися біля вентиляційних отворів. Використовуйте рекомендовані засоби захисту органів зору та рекомендовану протипилову маску при виконанні цієї операції.



УВАГА! Ніколи не використовуйте розчинники та інші різкі хімікати для очищення неметалевих деталей інструменту. Ці хімічні речовини можуть послабити матеріали, що використовуються для цих деталей. Використовуйте вологу ганчірку, змочену лише водою з м'яким милом. Не дозволяйте рідині потрапляти всередину інструменту та ніколи не занурюйте деталі інструменту в рідину.

Додаткові аксесуари



УВАГА! Через те, що інші аксесуари, що не рекомендовані компанією DeWALT не були перевірені з цим продуктом, використання таких аксесуарів з цим інструментом може бути небезпечним. Щоб знизити ризик травми, використовуйте лише аксесуари, рекомендовані компанією DeWALT.



УВАГА! Ці долота можна заточувати лише обмежену кількість разів. Якщо у вас виникли сумніви, зверніться за рекомендаціями до свого дилера.



УВАГА! Слідкуйте, щоб ріжучий край долота не змінював колір в результаті надмірного натискання на долото при заточуванні. Це може привести до зменшення міцності долота.

Технічне обслуговування насадок

Своєчасне обслуговування насадок гарантує оптимальний результат роботи, а також тривалий термін служби.

Заточування доліт необхідно виконувати на точильному диску. На малюнку G вказані відповідні кути заточування для різних типів доліт:

- 14 лопатоподібне долото
- 15 звичайне долото
- 16 конічне долото

Зверніться до свого дилера для отримання подальшої інформації щодо відповідних аксесуарів.

Захист навколишнього середовища



Роздільний збір. Пристрої та батареї, позначені цим символом, не можна викидати зі звичайним побутовим сміттям.

Пристрої та батареї містять матеріали, які можна відновити та переробити, що зменшить потребу у сировині. Будь ласка, надавайте електричні інструменти та батареї на переробку відповідно до місцевих постанов. Більш детальну інформацію можна отримати на сайті www.2helpU.com.



060

Виробник:
"Stanley Black & Decker Deutschland
GmbH" Black-&-Decker Str.40, D-65510
Idstein, Німеччина



ГАРАНТІЙНИЙ ТАЛОН

3 РОКИ
ГАРАНТІЇ

1. Вітаємо Вас з покупкою високоякісного виробу DEWALT і висловлюємо вдячність за Ваш вибір.
2. При покупці виробу вимагайте перевірки його комплектності і справності у Вашій присутності, інструкцію з експлуатації та заповнений гарантійний талон українською мовою. В гарантійному талоні повинні бути внесені: модель, дата продажу, серійний номер, дата виробництва інструменту, назва, печатка і підпис торгової організації. За відсутності у Вас правильно заповненого гарантійного талону, а також при невідповідності зазначених у ньому даних ми будемо змушені відхилити Ваші претензії щодо якості даного виробу.
3. Щоб уникнути непорозумінь, переконливо просимо Вас перед початком роботи з виробом уважно ознайомитися з інструкцією з його експлуатації. Правовою основою справжніх гарантійних умов є чинне Законодавство. Гарантійний термін на даний виріб складає 36 місяців і обчислюється з дня продажу. У разі усунення недоліків виробу, гарантійний строк продовжується на період його перебування в ремонті. Термін служби виробу становить 5 років з дня продажу.
4. У разі виникнення будь-яких проблем у процесі експлуатації виробу рекомендуємо Вам звертатися тільки в уповноважені сервісні центри DEWALT, адреси та телефони яких Ви зможете знайти в гарантійному талоні, на сайті www.2helpU.com або дізнатися в магазині. Наші сервісні станції - це не тільки кваліфікований ремонт, але і широкий асортимент запчастин і аксесуарів.
5. Виробник рекомендує проводити періодичну перевірку і технічне обслуговування виробу в уповноважених сервісних центрах.
6. Наші гарантійні зобов'язання поширюються тільки на несправності, виявлені протягом гарантійного терміну і викликані дефектами виробництва та \ або матеріалів.
7. Гарантійні умови не поширюються на несправності виробу, що виникли в результаті:
 - 7.1. Недотримання користувачем приписів інструкції з експлуатації виробу, застосування виробу не за призначенням, неправильного зберігання, використання приладдя, витратних матеріалів і запчастин, що не передбачені виробником.
 - 7.2. Механічного пошкодження (відколи, тріщини і руйнування) внутрішніх і зовнішніх деталей виробу, основних і допоміжних рукояток, мережевого кабелю, що викликані зовнішнім ударним або будь-яким іншим впливом
 - 7.3. Потраплення у вентиляційні отвори та проникнення всередину виробу сторонніх предметів, матеріалів або речовин, що не є відходами, які супроводжують застосування виробу за призначенням, такими як: стружка, тирса, пісок, та ін.
 - 7.4. Впливу на виріб несприятливих атмосферних і інших зовнішніх факторів, таких як дощ, сніг, підвищена вологість, нагрівання, агресивні середовища, невідповідність параметрів електромережі, що зазначені на інструменті.
 - 7.5. Стихійного лиха. Пошкодження або втрати виробу, що пов'язані з непередбаченими лихами, стихійними явищами, у тому числі внаслідок дії непереборної сили (пожежа, блискавка, потоп і інші природні явища), а також внаслідок перепадів напруги в електромережі та іншими причинами, які знаходяться поза контролем виробника.
8. Гарантійні умови не поширюються:
 - 8.1. На інструменти, що піддавались розкриттю, ремонту або модифікації поза уповноваженим сервісним центром.
 - 8.2. На деталі, вузли та матеріали, що мають сліди природного зносу, такі як: приводні ремені і колеса, вугільні щітки, мастило, підшипники, зубчасті зчеплення редукторів, гумові ущільнення, сальники, направляючі ролики, муфти, вимикачі, бойки, штовхачі, стволи тощо.
 - 8.3. На змінні частини: патрони, цанги, затискні гайки і фланці, фільтри, ножі, шліфувальні підшви, ланцюги, зірочки, пильні шини, захисні кожухи, пилки, абразиви, пильні і абразивні диски, фрези, свердла, бури тощо
 - 8.4. На несправності, що виникли в результаті перевантаження інструменту (як механічного, так і електричного), що спричинили вихід з ладу одночасно двох і більше деталей і вузлів, таких як: ротора і статора, обох обмоток статора, веденої і ведучої шестерень редуктора або інших вузлів і деталей. До безумовних ознак перевантаження виробу відносяться, крім інших: поява кольорів млиновості, деформація або оплвлення деталей і вузлів виробу, потемніння або обуглювання ізоляції проводів електродвигуна під впливом високої температури.

Товар отриманий в справному стані, без видимих ушкоджень, в повній комплектації, перевірений у моїй присутності, претензій щодо якості товару не маю. З умовами гарантійного обслуговування ознайомлений і згоден.

П. І. Б. та підпис власника

Шановні клієнти, наша мережа авторизованих сервісних центрів постійно розширюється. Актуальну інформацію про обслуговування в місті, що цікавить вас, ви можете дізнатися на сайті

www.2helpU.com

Інформація про інструмент

Серійний номер/Дата виробництва

Найменування інструменту	
Модель	
Найменування продавця	
Дата продажу	

М.П.
Продавця

Інструмент	
Зарядний пристрій	
Акумулятор 1	
Акумулятор 2	

На сайті www.2helpU.com доступні наступні функції:

- Список авторизованих сервісних центрів
- Зручний пошук найближчого сервісного центру
- Керівництво з експлуатації
- Технічні характеристики
- Список деталей і запасних частин
- Схема складання інструменту



Також дану інформацію ви можете отримати,
зателефонувавши за номером:
0 (800) 211 521 в Україні

ВІДМІТКА ПРО ПРОВЕДЕННЯ СЕРВІСНОГО ОБСЛУГОВУВАННЯ

№1	№2	№3	№4
№ замовлення	№ замовлення	№ замовлення	№ замовлення
Дата прийому	Дата прийому	Дата прийому	Дата прийому
Дата ремонту	Дата ремонту	Дата ремонту	Дата ремонту
Печатка і підпис сервісного центру	Печатка і підпис сервісного центру	Печатка і підпис сервісного центру	Печатка і підпис сервісного центру