

DEWALT®

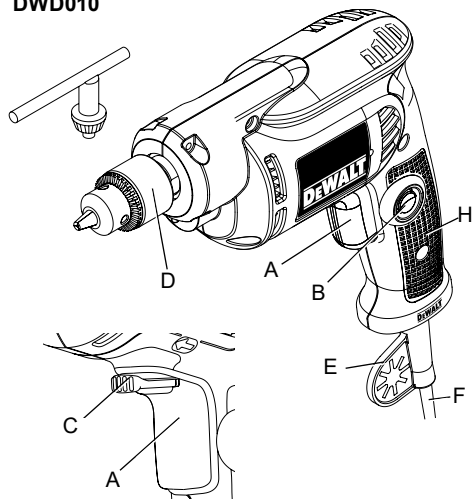
DWD010
DWD014
DWD014S

Переклад оригінальних інструкцій

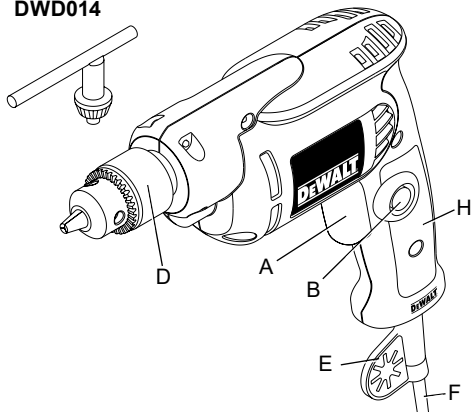
English	(Original instructions)	6
Українська	(Переклад оригінальних інструкцій)	13

Figure / Рисунок 1

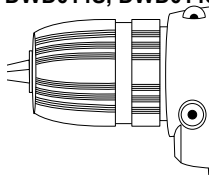
DWD010



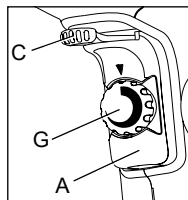
DWD014



DWD014S, DWD014S-XE



DWD014, DWD014S



DWD014S-XE

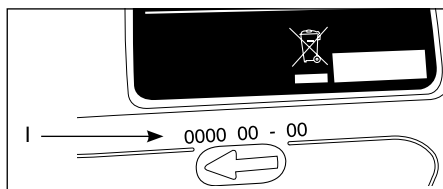
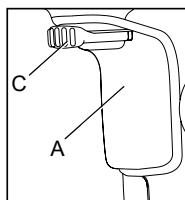


Figure / Рисунок 2

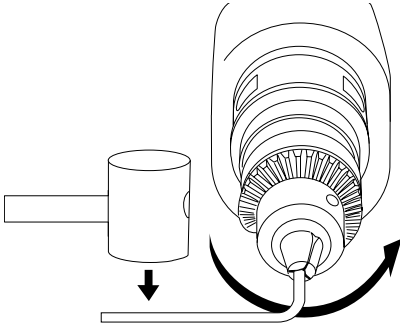


Figure / Рисунок 3

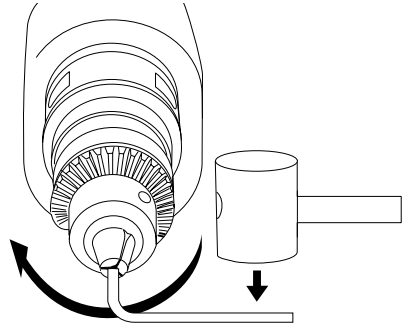


Figure / Рисунок 4

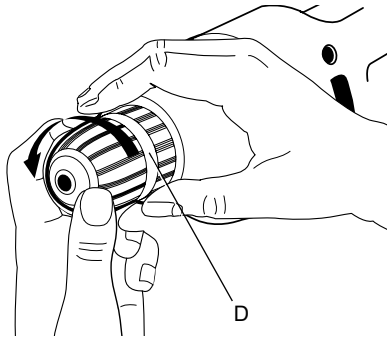


Figure / Рисунок 5

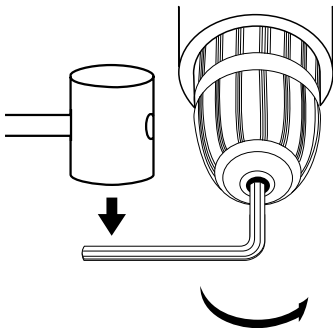


Figure / Рисунок 6

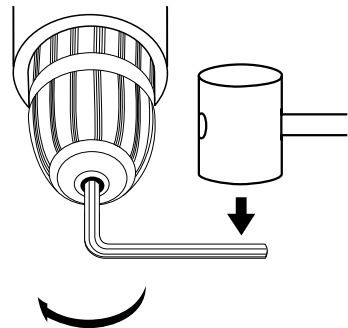
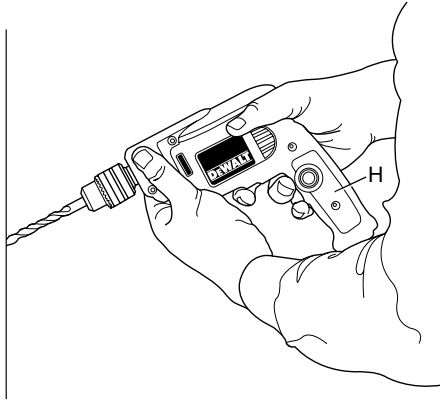


Figure / Рисунок 7



VARIABLE SPEED REVERSIBLE DRILL

DWD010, DWD014, DWD014S, DWD014S-XE

Congratulations!

You have chosen a DEWALT tool. Years of experience, thorough product development and innovation make DEWALT one of the most reliable partners for professional power tool users.

Technical Data

		DWD010	DWD014	DWD014S	DWD014S-XE
Voltage	V_{AC}	220–240	230	230	230
Type		1	1	1	1
Power input	W	380	550	550	550
No load speed	/min	0–3600	0–2800	0–2800	0–2800
Maximum drilling range: steel/wood	mm	6.5/15	10/25	10/25	10/25
Torque	Nm	3.9	7.9	7.9	7.9
Chuck spindle thread size	UNF	3/8" x 24	1/2" x 20	1/2" x 20	1/2" x 20
Maximum chuck capacity	mm	6.5	10	10	10
Weight	kg	1.16	1.3	1.3	1.3

Noise values and vibration values (triax vector sum) according to EN60745-2-1:

L_{PA} (emission sound pressure level)	dB(A)	81	82	82	82
L_{WA} (sound power level)	dB(A)	92	92	92	92
K (uncertainty for the given sound level)	dB(A)	3	2.9	2.9	2.9

Vibration emission value $a_n =$	m/s^2	9.0	8.5	8.5	8.5
Uncertainty K =	m/s^2	1.5	1.5	1.5	1.5

The vibration emission level given in this information sheet has been measured in accordance with a standardised test given in EN60745 and may be used to compare one tool with another. It may be used for a preliminary assessment of exposure.



WARNING: The declared vibration emission level represents the main applications of the tool. However if the tool is used for different applications, with different accessories or poorly maintained, the vibration emission may differ. This may significantly increase the exposure level over the total working period.

An estimation of the level of exposure to vibration should also take into account the times when the tool is switched off or when it is running but not actually doing the job. This may significantly reduce the exposure level over the total working period.

Identify additional safety measures to protect the operator from the effects of vibration such as: maintain the tool and the accessories, keep the hands warm, organisation of work patterns.

Fuses:

Europe	230 V tools	10 Amperes, mains
U.K. & Ireland	230 V tools	13 Amperes, mains

Definitions: Safety Guidelines

The definitions below describe the level of severity for each signal word. Please read the manual and pay attention to these symbols.



DANGER: Indicates an imminently hazardous situation which, if not avoided, will result in **death or serious injury**.



WARNING: Indicates a potentially hazardous situation which, if not avoided, could result in **death or serious injury**.



CAUTION: Indicates a potentially hazardous situation which, if not avoided, **may** result in **minor or moderate injury**.

NOTICE: Indicates a practice **not related to personal injury** which, if not avoided, **may** result in **property damage**.



Denotes risk of electric shock.



Denotes risk of fire.

EC-Declaration of Conformity

MACHINERY DIRECTIVE



VARIABLE SPEED REVERSIBLE DRILL DWD010, DWD014, DWD014S, DWD014S-XE

DEWALT declares that these products described under **Technical Data** are in compliance with: 2006/42/EC, EN60745-1:2009+A11:2010, EN60745-2-1:2010.

These products also comply with Directive 2004/108/EC (until 19.04.2016), 2014/30/EU (from 20.04.2016) and 2011/65/EU. For more information, please contact DEWALT at the following address or refer to the back of the manual.

The undersigned is responsible for compilation of the technical file and makes this declaration on behalf of DEWALT.

Markus Rompel
Director Engineering
DEWALT, Richard-Klinger-Straße 11,
D-65510, Idstein, Germany
24.10.2016



WARNING: To reduce the risk of injury, read the instruction manual.

General Power Tool Safety Warnings



WARNING! Read all safety warnings and all instructions. Failure to follow the warnings and instructions may result in electric shock, fire and/or serious injury.

SAVE ALL WARNINGS AND INSTRUCTIONS FOR FUTURE REFERENCE

The term "power tool" in the warnings refers to your mains-operated (corded) power tool or battery-operated (cordless) power tool.

1) WORK AREA SAFETY

- Keep work area clean and well lit.** Cluttered or dark areas invite accidents.
- Do not operate power tools in explosive atmospheres, such as in the presence of flammable liquids, gases or dust.** Power tools create sparks which may ignite the dust or fumes.
- Keep children and bystanders away while operating a power tool.** Distractions can cause you to lose control.

2) ELECTRICAL SAFETY

- Power tool plugs must match the outlet. Never modify the plug in any way. Do not use any adapter plugs with earthed (grounded) power tools.** Unmodified plugs and matching outlets will reduce risk of electric shock.
- Avoid body contact with earthed or grounded surfaces such as pipes, radiators, ranges and refrigerators.** There is an increased risk of electric shock if your body is earthed or grounded.
- Do not expose power tools to rain or wet conditions.** Water entering a power tool will increase the risk of electric shock.
- Do not abuse the cord. Never use the cord for carrying, pulling or unplugging the power tool. Keep cord away from heat, oil, sharp edges or moving parts.** Damaged or entangled cords increase the risk of electric shock.
- When operating a power tool outdoors, use an extension cord suitable for outdoor use.** Use of a cord suitable for outdoor use reduces the risk of electric shock.
- If operating a power tool in a damp location is unavoidable, use a residual current device (RCD) protected supply.** Use of an RCD reduces the risk of electric shock.

3) PERSONAL SAFETY

- Stay alert, watch what you are doing and use common sense when operating a power tool. Do not use a power tool while you are tired or under the influence of drugs, alcohol or medication.** A moment of inattention while operating power tools may result in serious personal injury.

- b) **Use personal protective equipment. Always wear eye protection.** Protective equipment such as dust mask, non-skid safety shoes, hard hat, or hearing protection used for appropriate conditions will reduce personal injuries.
- c) **Prevent unintentional starting. Ensure the switch is in the off position before connecting to power source and/or battery pack, picking up or carrying the tool.** Carrying power tools with your finger on the switch or energising power tools that have the switch on invites accidents.
- d) **Remove any adjusting key or wrench before turning the power tool on.** A wrench or a key left attached to a rotating part of the power tool may result in personal injury.
- e) **Do not overreach. Keep proper footing and balance at all times.** This enables better control of the power tool in unexpected situations.
- f) **Dress properly. Do not wear loose clothing or jewellery. Keep your hair, clothing and gloves away from moving parts.** Loose clothes, jewellery or long hair can be caught in moving parts.
- g) **If devices are provided for the connection of dust extraction and collection facilities, ensure these are connected and properly used.** Use of dust collection can reduce dust-related hazards.
- 4) POWER TOOL USE AND CARE**
- a) **Do not force the power tool. Use the correct power tool for your application.** The correct power tool will do the job better and safer at the rate for which it was designed.
- b) **Do not use the power tool if the switch does not turn it on and off.** Any power tool that cannot be controlled with the switch is dangerous and must be repaired.
- c) **Disconnect the plug from the power source and/or the battery pack from the power tool before making any adjustments, changing accessories, or storing power tools.** Such preventive safety measures reduce the risk of starting the power tool accidentally.
- d) **Store idle power tools out of the reach of children and do not allow persons unfamiliar with the power tool or these instructions to operate the power tool.** Power tools are dangerous in the hands of untrained users.
- e) **Maintain power tools. Check for misalignment or binding of moving parts, breakage of parts and any other condition that may affect the power tool's operation. If damaged, have the power tool repaired before use.** Many accidents are caused by poorly maintained power tools.
- f) **Keep cutting tools sharp and clean.** Properly maintained cutting tools with sharp cutting edges are less likely to bind and are easier to control.
- g) **Use the power tool, accessories and tool bits etc., in accordance with these instructions taking into account the working conditions and the work to be performed.** Use of the power tool for operations different from those intended could result in a hazardous situation.
- 5) SERVICE**
- a) **Have your power tool serviced by a qualified repair person using only identical replacement parts.** This will ensure that the safety of the power tool is maintained.

Additional Specific Safety Rules for Drills

- **Wear ear protectors.** Exposure to noise can cause hearing loss.
- **Hold power tool by insulated gripping surfaces only when performing an operation where the cutting accessory may contact hidden wiring or its own cord.** Cutting accessory contacting a "live" wire may make exposed metal parts of the power tool "live" and shock the operator
- **Use clamps or other practical way to secure and support the workpiece to a stable platform.** Holding the work by hand or against your body is unstable and may lead to loss of control.
- **Wear safety goggles or other eye protection.** Drilling operations cause chips to fly. Flying particles can cause permanent eye damage.
- **Bits and tools get hot during operation.** Wear gloves when touching them.
- **Keep handles dry, clean, free from oil and grease. It is recommended to use rubber gloves.** This will enable better control of the tool.
- **Use auxiliary handle(S), if supplied with the tool.** Loss of control can cause personal injury.



WARNING: We recommend the use of a residual current device with a residual current rating of 30mA or less.

Residual Risks

The following risks are inherent to the use of drills:

- Injuries caused by touching the rotating parts or hot parts of the tool.

In spite of the application of the relevant safety regulations and the implementation of safety devices, certain residual risks cannot be avoided. These are:

- Impairment of hearing.
- Risk of squeezing fingers when changing accessories.
- Health hazards caused by breathing dust developed when working in wood.
- Risk of personal injury due to flying particles.
- Risk of personal injury due to prolonged use.

Markings on Tool

The following pictograms are shown on the tool:



Read instruction manual before use.



Wear ear protection.



Wear eye protection.

DATE CODE POSITION (FIG. 1)

The Date Code (I), which also includes the year of manufacture, is printed into the housing.

Example:

2016 XX XX

Year of Manufacture

Package Contents

The package contains:

- 1 Drill
- 1 Chuck key (DWD010, DWD014)
- 1 Instruction manual
 - Check for damage to the tool, parts or accessories which may have occurred during transport.
 - Take the time to thoroughly read and understand this manual prior to operation.

Description (fig. 1)



WARNING: Never modify the power tool or any part of it. Damage or personal injury could result.

- A. Variable speed trigger switch
- B. Lock-on button
- C. Forward/reverse lever
- D. Chuck
- E. Cord protector
- F. Cord set
- G. Speed dial (DWD014, DWD014S)
- H. Main handle
- I. Date code position

INTENDED USE

These heavy-duty V.S.R. drills are designed for professional drilling.

DO NOT use under wet conditions or in presence of flammable liquids or gases.

These heavy-duty drills are professional power tools.

DO NOT let children come into contact with the tool. Supervision is required when inexperienced operators use this tool.

- **Young children and the infirm.** This appliance is not intended for use by young children or infirm persons without supervision.
- This product is not intended for use by persons (including children) suffering from diminished physical, sensory or mental abilities; lack of experience, knowledge or skills unless they are supervised by a person responsible for their safety. Children should never be left alone with this product.

Electrical Safety

The electric motor has been designed for one voltage only. Always check that the power supply corresponds to the voltage on the rating plate.



Your DEWALT tool is double insulated in accordance with EN60745; therefore no earth wire is required.

If the supply cord is damaged, it must be replaced by a specially prepared cord available through the DEWALT service organization.

Mains Plug Replacement (U.K. & Ireland Only)

If a new mains plug needs to be fitted:

- Safely dispose of the old plug.
- Connect the brown lead to the live terminal in the plug.
- Connect the blue lead to the neutral terminal.



WARNING: No connection is to be made to the earth terminal.

Follow the fitting instructions supplied with good quality plugs. Recommended fuse: 13 A.

Using an Extension Cable

If an extension cable is required, use an approved extension cable suitable for the power input of this tool (see technical data).

The minimum conductor size is 1.5 mm².

When using a cable reel, always unwind the cable completely.

ASSEMBLY AND ADJUSTMENTS



WARNING: To reduce the risk of injury, turn unit off and disconnect machine from power source before installing and removing accessories, before adjusting or changing set-ups or when making repairs. Be sure the trigger switch is in the OFF position. An accidental start-up can cause injury.

Forward/Reverse Lever (fig. 1)

The forward/reverse lever (C) is used for withdrawing bits from tight holes and removing screws. It is located above the trigger switch.

To reverse the motor, release the trigger switch FIRST and then push the lever to the right (viewed when holding the drill in the operating position).

After any reversing operations, return lever to forward position.

Keyed Chuck (fig. 1, 2, 3)

DWD010, DWD014

The DWD010 and the DWD014 feature a keyed chuck (D).

TO INSERT A DRILL BIT OR OTHER ACCESSORY

1. Open the chuck jaws by turning collar by hand and insert the shank of the bit about 19 mm (3/4") into chuck. Tighten the chuck collar by hand.
2. Place chuck key in each of the three holes, and tighten in clockwise direction. It's important to tighten chuck with all three holes.

To release the bit, turn the chuck counterclockwise in just one hole, then loosen the chuck by hand.

REMOVAL OF KEYED CHUCK (FIG. 2)

Tighten the chuck around the shorter end of a hex key. Using a soft hammer, strike the key sharply in the counterclockwise direction when viewed from the front of the tool. This will loosen the chuck so that it can be removed by hand.

KEYED CHUCK INSTALLATION (FIG. 3)

Screw the chuck on by hand as far as it will go. Insert the shorter end of a hex key and strike it in the clockwise direction with a soft hammer.

Keyless Chuck (fig. 1, 4–6)

DWD014S, DWD014S-XE

The DWD014S, DWD014S-XE features a keyless chuck (D) for greater convenience.

TO INSERT A DRILL BIT OR OTHER ACCESSORY

1. Grasp the rear half of the chuck with one hand and use your other hand to rotate the front half counterclockwise, as shown in Figure 4. Rotate far enough so that the chuck opens sufficiently to accept the desired accessory.
2. Insert the bit or other accessory about 19 mm (3/4") into the chuck and tighten securely by holding the rear half of the chuck and rotating the front portion in the clockwise direction. When the chuck is nearly tightened, you will hear a clicking sound. After 4–6 clicks, the chuck is securely tightened around the accessory.
3. To release the accessory, repeat step 1 listed above.



WARNING: Do not attempt to tighten drill bits (or any other accessory) by gripping the front part of the chuck and turning the tool on. Damage to the chuck and personal injury may result.

KEYLESS CHUCK REMOVAL (FIG. 5)

Tighten the chuck around the shorter end of a hex key (not supplied). Using a soft hammer or piece of wood, strike the longer end in the counterclockwise direction. This will loosen the chuck so that it can be unscrewed by hand.

KEYLESS CHUCK INSTALLATION (FIG. 6)

Screw the chuck on by hand as far as it will go. Tighten the chuck around the shorter end of a hex key (not supplied) and strike the longer end in the clockwise direction with a soft hammer.

OPERATION

Instructions for Use



WARNING: Always observe the safety instructions and applicable regulations.



WARNING: To reduce the risk of injury, turn unit off and disconnect machine from power source before installing and removing accessories, before adjusting or changing set-ups or when making repairs. Be sure the trigger switch is in the OFF position. An accidental start-up can cause injury.

Trigger Switch (fig. 1)

To start the drill, depress the trigger switch; to stop the drill, release the trigger switch.

NOTE: Use lower speeds for starting holes without a center punch, drilling in metal or plastics, driving screws or drilling ceramics. Higher speeds are better for drilling wood and composition boards and using abrasive and polishing accessories.

VARIABLE SPEED

A variable speed trigger switch (A) permits speed control—the farther the trigger is depressed, the higher the speed of the drill.

For continuous operation, press and hold the variable speed switch, move the lock-on button (B) up, then release the switch.

To stop continuous operation, press the switch briefly and release it. Always switch the tool off when work is finished and before unplugging.

Speed Dial (fig. 1)

DWD014, DWD014S

To reduce the speed, turn the speed dial (G) counterclockwise. To increase speed, turn the dial clockwise.

Proper Hand Position (fig. 7)



WARNING: To reduce the risk of serious personal injury, **ALWAYS** use proper hand position as shown in figure 7.



WARNING: To reduce the risk of serious personal injury, **ALWAYS** hold securely in anticipation of a sudden reaction.

Proper hand position requires one hand under the the housing, with the other hand on the main handle (H).

Drilling



WARNING: To reduce the risk of personal injury, **ALWAYS** ensure workpiece is anchored or clamped firmly. If drilling thin material, use a wood “back-up” block to prevent damage to the material.

1. Use sharp drill bits only. For WOOD, use the low speed setting and twist drill bits, spade bits, power auger bits, or hole saws. For METAL, use the low speed setting and steel twist drill bits or hole saws.
2. Always apply pressure in a straight line with the bit. Use enough pressure to keep drill biting, but do not push hard enough to stall the motor or deflect the bit.
3. Hold tool firmly with both hands to control the twisting action of the drill.



CAUTION: Drill may stall if overloaded causing a sudden twist. Always expect the stall. Grip the drill firmly to control the twisting action and avoid injury.

4. **IF DRILL STALLS**, it is usually because it is being overloaded or improperly used. **RELEASE TRIGGER IMMEDIATELY**, remove drill bit from work, and determine cause of stalling. **DO NOT CLICK TRIGGER ON AND OFF IN AN ATTEMPT TO START A STALLED DRILL — THIS CAN DAMAGE THE DRILL.**
5. To minimize stalling or breaking through the material, reduce pressure on drill and ease the bit through the last fractional part of the hole.
6. Keep the motor running when pulling the bit back out of a drilled hole. This will help prevent jamming.

- With variable speed drills there is no need to center punch the point to be drilled. Use a slow speed to start the hole and accelerate by squeezing the trigger harder when the hole is deep enough to drill without the bit skipping out.

DRILLING IN METAL

Start drilling with slow speed and increase to full power while applying firm pressure on the tool. A smooth even flow of metal chips indicates the proper drilling rate. Use a cutting lubricant when drilling metals. The exceptions are cast iron and brass which should be drilled dry.

NOTE: Large [5/16" (8 mm) to 1/2" (13 mm)] holes in steel can be made easier if a pilot hole [5/32" (4 mm) to 3/16" (5 mm)] is drilled first.

DRILLING IN WOOD

Start drilling with slow speed and increase to full power while applying firm pressure on the tool. Holes in wood can be made with the same twist drills used for metal. These bits may overheat unless pulled out frequently to clear chips from the flutes. Work that is apt to splinter should be backed up with a block of wood.

MAINTENANCE

Your DEWALT power tool has been designed to operate over a long period of time with a minimum of maintenance. Continuous satisfactory operation depends upon proper tool care and regular cleaning.



WARNING: To reduce the risk of injury, turn unit off and disconnect machine from power source before installing and removing accessories, before adjusting or changing set-ups or when making repairs. Be sure the trigger switch is in the OFF position. An accidental start-up can cause injury.

Motor Brushes

DEWALT uses an advanced brush system which automatically stops the drill when the brushes wear out. This prevents serious damage to the motor. New brush assemblies are available at authorized DEWALT service centers. Always use identical replacement parts.



Lubrication

Your power tool requires no additional lubrication.



Cleaning



WARNING: Blow dirt and dust out of the main housing with dry air as often as dirt is seen collecting in and around the air vents. Wear approved eye protection and approved dust mask when performing this procedure.



WARNING: Never use solvents or other harsh chemicals for cleaning the non-metallic parts of the tool. These chemicals may weaken the materials used in these parts. Use a cloth dampened only with water and mild soap. Never let any liquid get inside the tool; never immerse any part of the tool into a liquid.

Optional Accessories



WARNING: Since accessories, other than those offered by DEWALT, have not been tested with this product, use of such accessories with this tool could be hazardous. To reduce the risk of injury, only DEWALT, recommended accessories should be used with this product.



CAUTION: To reduce the risk of injury, accessories should be used only in sizes up to the maximums shown in the Technical Data.

Consult your dealer for further information on the appropriate accessories.

Protecting the Environment



Separate collection. Products and batteries marked with this symbol must not be disposed of with normal household waste.

Products and batteries contain materials that can be recovered or recycled reducing the demand for raw materials. Please recycle electrical products and batteries according to local provisions. Further information is available at www.2helpU.com.

РЕВЕРСИВНИЙ ДРИЛЬ З РЕГУЛЮВАННЯМ ШВИДКОСТІ DWD010, DWD014, DWD014S, DWD014S-XE

Вітаємо вас!

Ви обрали інструмент DEWALT. Великий досвід компанії у розробці інструментів та постійна робота над їх вдосконаленням роблять компанію DEWALT надійним партнером професійних користувачів.

Технічні характеристики

		DWD010	DWD014	DWD014S	DWD014S-XE
Напруга	V_{AC}	220–240	230	230	230
Тип		1	1	1	1
Вхідна потужність	Вт	380	550	550	550
Швидкість без навантаження	/хв.	0–3600	0–2800	0–2800	0–2800
Максимальний діаметр свердління:					
метал/деревина	мм	6,5/15	10/25	10/25	10/25
Крутний момент	Нм	3,9	7,9	7,9	7,9
Різьблення шпінделя патрона	UNF	3/8" x 24	1/2" x 20	1/2" x 20	1/2" x 20
Найбільший діаметр свердла, що можна вставити в патрон	мм	6,5	10	10	10
Вага	кг	1,16	1,3	1,3	1,3

Значення рівня шуму та вібрації (триаксильна векторна сума) відповідно до стандарту EN60745-2-1:

L_{PA} (рівень тиску звукового випромінювання)	дБ(А)	81	82	82	82
L_{WA} (рівень звукової потужності)	дБ(А)	92	92	92	92
K (похибка для даного рівня звука)	дБ(А)	3	2,9	2,9	2,9

Значення вібрації $a_h =$	m/c^2	9,0	8,5	8,5	8,5
Похибка K =	m/c^2	1,5	1,5	1,5	1,5

Значення вібрації, що наведено в документі, виміряне відповідно до вимог нормативного тесту, викладеного у стандарті EN60745, та може використовуватись для порівняння інструментів. Дане значення вібрації можна також використовувати для попередньої оцінки впливу вібрації.



УВАГА! Задеклароване значення вібрації відповідає вимогам цільового використання інструменту. Однак якщо інструмент використовується для виконання інших завдань, з іншими витратними матеріалами/насадками або не обслуговується відповідно до вимог, значення вібрації може відрізнятись. Це може суттєво підвищити рівень впливу впродовж усього періоду роботи.

Оцінка рівня впливу вібрації повинна враховувати час вимкень інструменту та роботу інструменту без виконання певних завдань. Це може суттєво підвищити рівень впливу впродовж усього періоду роботи.

Визначення додаткових заходів безпеки для захисту оператора від впливу вібрації: технічне обслуговування інструменту та насадок, утримання рук у теплі, організація режиму роботи.

Запобіжники:

Європа	інструменти 230 В	10 Ампер, мережа живлення
Великобританія та Ірландія	інструменти 230 В	13 Ампер, мережа живлення

Позначення: інструкції з техніки безпеки

Умовні позначення, що наведені нижче, описують рівень важливості кожної попереджувальної вказівки. Будь ласка, прочитайте керівництво та звертайте увагу на наступні символи.



НЕБЕЗПЕКА! Вказує на безпосередню загрозу, ігнорування якої, **приведе до смерті або серйозного травмування.**



УВАГА! Вказує на потенційну загрозу, ігнорування якої, **може привести до смерті або серйозного травмування.**



ОБЕРЕЖНО! Вказує на потенційну загрозу, ігнорування якої, **може привести до незначного або середньої важкості травмування.**
ПРИМІТКА. Вказує на ситуацію, не пов'язану з особистою травмою, яка, якщо її не уникнути, **може привести до пошкодження майна.**



Вказує на ризик ураження електричним струмом.



Вказує на ризик виникнення пожежі.

Декларація про відповідність ЄС

ДИРЕКТИВА ДЛЯ МЕХАНІЧНОГО ОБЛАДНАННЯ



РЕВЕРСИВНИЙ ДРИЛЬ З РЕГУЛЮВАННЯМ ШВИДКОСТІ DWD010, DWD014, DWD014S, DWD014S-XE

Компанія DEWALT заявляє, що ці продукти, описані у розділі **Технічні дані** відповідають: 2006/42/EC, EN60745-1:2009+A11:2010, EN60745-2-1:2010.

Дана продукція відповідає також Директиві 2004/108/EC (до 19.04.2016), 2014/30/EU (від 20.04.2016) і 2011/65/EU. Для отримання додаткової інформації, будь ласка, зверніться до компанії DEWALT за наступною адресою або прочитайте інформацію на зворотній стороні цього керівництва.

Нижчепідписаний несе відповідальність за упорядкування файлу технічних характеристик та робить цю заяву від імені компанії DEWALT.

Маркус Ромпель (Markus Rompel)
Технічний директор
DEWALT, Richard-Klinger-Straße 11,
D-65510, Idstein, Germany (Німеччина)
24.10.2016



УВАГА! Уважно ознайомтесь з керівництвом з експлуатації для зниження ризику отримання травм.

Загальні правила безпеки при експлуатації електричного інструменту



УВАГА! Ознайомтесь з повним переліком попереджень та інструкцій. Недотримання наведених інструкцій та попереджень може привести до ураження електричним струмом, пожежі та/або серйозних травм.

ЗБЕРЕЖІТЬ УСІ ПОПЕРЕДЖЕННЯ ТА ІНСТРУКЦІЇ ДЛЯ ВИКОРИСТАННЯ В МАЙБУТЬОМУ

Термін "електричний інструмент" в усіх попередженнях стосується використовуваних вами інструментів, що працюють від мережі енергоспоживання (з використанням електричного кабелю) або акумуляторів (без кабелю).

1) БЕЗПЕКА РОБОЧОЇ ЗОНИ

- Дотримуйтесь чистоти та якісного освітлення робочої зони.** Невпорядковані й темні робочі зони збільшують імовірність нещасного випадку.
- Не використовуйте електричні інструменти у вибухонебезпечному середовищі, наприклад, у безпосередній близькості до**

легкозаймистих рідин, газів та ділянок з надмірним пилоутворенням. Електричні інструменти створюють іскри, що можуть запалити пил або випаровування.

- c) **Тримайте дітей та сторонніх осіб на відповідній віддалі під час використання інструменту.** Неуважність може призвести до втрати контролю.

2) ЕЛЕКТРИЧНА БЕЗПЕКА

- a) **Тип вилки електричного інструменту має відповідати типу розетки. Жодним чином не модифікуйте тип вилки. Не використовуйте адаптери із заземленими електричними інструментами.** Немодифіковані вилки та розетки, що відповідають їм, зменшують ризик ураження електричним струмом.
- b) **Уникайте контактів тіла з заземленими поверхнями, такими як труби, радіатори, плити та холодильники.** Якщо ваше тіло заземлене, збільшується ризик ураження електричним струмом.
- c) **Не залишайте електричні інструменти під дощем або в умовах підвищеної вологості.** Вода, що потрапляє в електричний інструмент, підвищує ризик ураження електричним струмом.
- d) **Не використовуйте кабель живлення не за призначенням. Не використовуйте шнур для переміщення, витягування та відключення від розетки живлення електричного інструмента.** Тримайте шнур подалі від джерел високих температур, мастил, гострих предметів та рухомих деталей. Пошкоджені або перекручені шнури підвищують ризик ураження електричним струмом.
- e) **При експлуатації електричного інструменту поза межами приміщення, використовуйте подовжувач, що призначений для зовнішніх робіт.** Використання шнура, призначеного для використання поза приміщенням, знижує ризик ураження електричним струмом.
- f) **При необхідності використання електричного інструменту в умовах підвищеної вологості, використовуйте джерело живлення, захищене пристроєм диференційного**

захисту (RCD). Використання RCD знижує ризик ураження електричним струмом.

3) ОСОБИСТА БЕЗПЕКА

- a) **Будьте уважні, контролюйте власні дії та ситуацію навколо під час роботи з електричним інструментом. Не користуйтеся електричним інструментом у стані втоми чи під впливом наркотичних речовин, алкоголю або ліків.** Втрата уваги при роботі з електричними інструментами може призвести до серйозних травм.
- b) **Використовуйте особисті засоби безпеки. Завжди використовуйте засоби захисту очей.** Відповідні умовам використання засоби безпеки, такі як протипилова маска, несплизькі безпечні черевки, захисний шолом та засоби захисту слуху, зменшують імовірність особистих травм.
- c) **Уникайте випадкового запуску. Переконайтесь в тому, що вимикач знаходиться в позиції Вимк. перед підключенням до джерела живлення та/або акумулятора, переміщенням або перенесенням пристрою.** Якщо ви переносите інструмент, тримаючи палець на вимикачі, або підключаєте живлення з перемикачем в позиції Увімк., це може призвести до нещасного випадку.
- d) **Зніміть всі налаштувальні ключі або гайкові ключі перед тим, як вмикати електричний інструмент.** Гайковий ключ, що залишився прикріпленим до якоїсь деталі електричного пристрою, що обертається, може призвести до травм.
- e) **Не перенапружуйтесь. Дотримуйтесь правильного положення ніг та рівноваги.** Це дає вам змогу краще контролювати інструмент в непередбачуваних ситуаціях.
- f) **Вдягайте відповідний одяг. Не одягайте вільний одяг чи прикраси.** Тримайте ваше волосся, одяг та рукавиці подалі від рухомих деталей. Вільний одяг, прикраси або довег волосся можуть зачепитися за рухомі деталі.
- g) **Якщо передбачені пристрої для підключення до засобів виділення та збирання пилу, переконайтесь, що вони правильно підключені та**

використовуються. Використання таких пристроїв зменшує ризик виникнення небезпечних ситуацій, що пов'язані з потраплянням пилу.

4) ВИМОГИ ЩОДО ЕКСПЛУАТАЦІЇ ЕЛЕКТРИЧНОГО ІНСТРУМЕНТУ ТА ДОГЛЯДУ ЗА НИМ

- a) **Не використовуйте надмірні зусилля при роботі з інструментом. Використовуйте електричний інструмент відповідно до його призначення.** Правильно обраний інструмент виконає завдання краще та безпечніше за умов, для яких він був розроблений.
- b) **Не використовуйте інструмент, вмикач якого не вмикає та не вимикає його.** Будь-який електричний інструмент з непрацюючим вмикачем є небезпечним і має бути відремонтований.
- c) **Відключіть вилку від джерела живлення та/або зніміть акумуляторний блок з інструменту перед тим, як робити будь-які налаштування, змінювати додаткове обладнання або зберігати інструмент.** Ці профілактичні заходи зменшують ризик випадкового запуску електричного інструмента.
- d) **Зберігайте вимкнені електричні інструменти подалі від дітей та не дозволяйте особам, що не знайомі з електричним інструментом або цими інструкціями, використовувати електричний інструмент.** Електричні інструменти є небезпечними, якщо вони використовуються некваліфікованими користувачами.
- e) **Виконайте технічне обслуговування електричних інструментів. Перевіряйте на відсутність вирівнювання або заїдання рухомих деталей, ушкоджених частин та інших умов, що можуть впливати на роботу електричного інструменту. При наявності пошкодження забезпечте ремонт електричного інструмента до моменту його експлуатації.** Багато нещасних випадків є результатом того, що інструмент не пройшов відповідного технічного обслуговування.
- f) **Тримайте ріжучі інструменти гострими та чистими.** Правильно доглянуті різальні інструменти

з гострими різальними кромками мають меншу ймовірність заїдання, ними легше керувати.

- g) **Використовуйте електричний інструмент, додаткові інструменти та деталі інструменту тощо у відповідності до цих інструкцій, зважаючи на умови використання та роботу, яка має бути виконана.** Використання електричних інструментів не за призначенням може призвести до виникнення небезпечних ситуацій.

5) ОБСЛУГОВУВАННЯ

- a) **Надавайте електричний інструмент для обслуговування кваліфікованим спеціалістам із ремонту та використовуйте тільки ідентичні замініні деталі.** Це гарантує безпеку електричного пристрою.

Додаткові правила з техніки безпеки при роботі з дрелями

- **Використовуйте засоби захисту слуху.** Шум може призвести до втрати слуху.
- **Тримайте електричний інструмент лише за ізольовану поверхню при виконанні операцій коли ріжучі насадки можуть торкнутися проводки або власного кабелю.** Ріжучі елементи при контакті з дротом під напругою можуть призвести до появи напруги в інструменті та ураження оператора електричним струмом
- **Використовуйте затискач або інший спосіб закріплення деталі, що оброблюється, на стабільній платформі.** Утримування заготовки в руці та притискання її до тіла робить її нестабільною та може призвести до втрати контролю.
- **Використовуйте захисні окуляри або інші засоби захисту очей.** Під час використання дреля може відлітати стружка. Частинки, що розлітаються, можуть спричинити незворотне пошкодження очей.
- **Свердла і насадки сильно нагріваються у процесі роботи.** Відягайте рукавиці, якщо потрібно їх торкатися.
- **Слідкуйте, щоб руки були сухими, чистими і без слідів масла або мастила.** Настійно рекомендується

використовувати гумові рукавиці. Це поліпшить контроль над інструментом.

- **Використовуйте додаткову ручку (ручки), якщо вона надається з інструментом.** Втрата контролю над інструментом може викликати травми.



УВАГА! Ми рекомендуємо використовувати пристрій з керуванням диференційним струмом з номінальним значенням диференційного струму 30 мА або менше.

Залишкові ризики

Наступні ризики можуть залишитися при використанні дрелів:

- Травми через контакт з деталями, що обертаються, або гарячими деталями інструменту.

Дотримання всіх правил техніки безпеки та застосування пристроїв безпеки не гарантує уникнення певних залишкових ризиків. До такого переліку належать:

- Порушення слуху.
- Ризик затиснення пальців при заміні насадок.
- Небезпека для здоров'я через вдихання пилу, що утворюється при роботі з деревом.
- Небезпека травмування від літаючих частинок.
- Ризик травмування внаслідок тривалого використання.

Маркування інструменту

На інструменті є наступні піктограми:



Прочитайте інструкції цього керівництва перед використанням.



Використовуйте захист органів слуху.



Використовуйте захист органів зору.

РОЗТАШУВАННЯ КОДУ ДАТИ (РИС. 1)

Код дати (I), що включає також рік виробництва, наноситься на корпус.

Приклад:

2016 XX XX

Рік виробництва

Комплект поставки

Комплект містить:

- 1 Ударний дріль
- 1 Ключ затискного патрона (DWD010, DWD014)
- 1 Керівництво з експлуатації
 - Переверіть інструмент, деталі та аксесуари на пошкодження, що могли виникнути під час транспортування.
 - Перед експлуатацією виробу уважно ознайомтесь з рекомендаціями даного керівництва.

Опис (рис. 1)



УВАГА! Ніколи не модифікуйте електричні інструменти та їх деталі. Інакше вони можуть стати причиною пошкодження майна або травм.

- A. Тригерний перемикач змінної швидкості
- B. Кнопка блокування
- C. Перемикач вперед/назад
- D. Затискний патрон
- E. Захисне кільце для кабелю
- F. Електричний кабель
- G. Дисковий перемикач швидкості (DWD014, DWD014S)
- H. Основна ручка
- I. Місце розташування коду дати

ОБЛАСТЬ ЗАСТОСУВАННЯ

Ці реверсивні дрелі високої потужності з регулюванням швидкості призначені для професійного виконання робіт зі свердління.

НЕ використовуйте за умов підвищеної вологості або у присутності легкозаймистих рідин та газів.

Ці потужні ударні дрелі є професійними інструментами.

НЕ дозволяйте дітям підходити та торкатися інструмента. При використанні інструменту недосвідченими операторами необхідний нагляд.

- **Діти та хворі люди.** Даний пристрій не призначений для використання без нагляду дітьми та особами з обмеженими фізичними або розумовими можливостями.
- Цей пристрій не призначений для використання особами (включаючи дітей) із зниженими фізичними, сенсорними або розумовими можливостями або особами, яким бракує досвіду або знань за винятком випадків, коли такі особи працюють під наглядом особи, яка несе відповідальність за їх безпеку. Не можна залишати дітей наодинці з цим пристроєм.

Електрична безпека

Електричний двигун розроблений для роботи лише з одним значенням напруги. Завжди перевіряйте відповідність джерела живлення напрузі, яка вказана на таблиці з паспортними даними.



Ваш пристрій виробництва компанії DEWALT має подвійну ізоляцію відповідно до EN60745; тому заземлення не є необхідним.

Якщо кабель живлення пошкоджений, його необхідно замінити на спеціальний кабель, який можна замовити в офіційних сервісних центрах DEWALT.

Заміна мережевої вилки (тільки для Великої Британії та Ірландії)

При необхідності встановлення іншого типу вилки, виконайте наступні дії:

- Зніміть існуючу вилку та утилізуйте її, дотримуючись правил техніки безпеки.
- Приєднайте коричневий провідник до клем фази вилки.
- Приєднайте блакитний провідник до клем нейтралі.



УВАГА! Жоден провід не повинен бути підключений до клем заземлення.

Дотримуйтесь інструкцій щодо налаштування, що постачаються з якісними вилками. Рекомендований плавкий запобіжник: 13 А.

Використання електричного подовжувача

Якщо необхідний подовжувальний шнур, використовуйте рекомендований подовжувальний шнур, що підходить для споживаної потужності інструменту (див. Технічні характеристики).

Мінімальна площа перерізу провідника становить 1,5 мм².

У разі використання кабельного барабану завжди витягуйте весь кабель.

МОНТАЖ ТА НАЛАШТУВАННЯ



УВАГА! Щоб знизити ризик виникнення травми, вимкніть інструмент та відключіть його від мережі живлення перед встановленням та зніманням аксесуарів, перед виконанням налаштувань або заміною приладдя, а також перед ремонтом. Переконайтеся, що вимикач знаходиться в положенні Вимк. Випадковий запуск може призвести до травм.

Перемикач вперед/назад (рис. 1)

Перемикач вперед/назад (C) використовується для вилучення свердел з вузьких отворів і вигвинчування шурупів. Він розташований над тригерним перемикачем.

Для зміни напрямку обертання двигуна СПОЧАТКУ відпустіть тригерний перемикач, потім пересуньте перемикач напрямку обертання вправо (утримуючи дріль в робочому положенні).

Після дій з використанням реверсу поверніть перемикач у переднє положення.

Затискний патрон з ключем (рис. 1, 2, 3)

DWD010, DWD014

Пристрої DWD010 і DWD014 оснащені ключовим патроном (D).

ВСТАНОВЛЕННЯ СВЕРДЛА ТА ІНШОЇ НАСАДКИ

1. Рукою повертаючи муфту, відкрийте кулачок затискного патрона і вставте в патрон хвостовик насадки діаметром близько 19 мм (3/4"). Вручну затягніть муфту патрона.
2. Вставте ключ в кожен з трьох отворів і затягніть патрон, повертаючи ключ за годинниковою стрілкою. Дуже важливо, щоб патрон був затягнутий через всі три отвори.

Щоб витягнути насадку, поверніть патрон проти годинникової стрілки через один отвір, а потім відпустіть патрон вручну.

ЗНЯТТЯ КЛЮЧОВОГО ПАТРОНА (РИС. 2)

Затисніть в патроні коротший кінець шестигранного ключа. М'яким молотком ударяйте по довгому кінцю ключа, повертаючи його проти годинникової стрілки, утримуючи дріль передньою частиною до себе. Таким чином, патрон буде послаблений, і його можна буде відкрутити вручну.

ВСТАНОВЛЕННЯ КЛЮЧОВОГО ПАТРОНА (РИС. 3)

Нагвинтіть патрон вручну наскільки можливо. Вставте в патрон коротший кінець шестигранного ключа і м'яким молотком вдарте по ключу, повертаючи його за годинниковою стрілкою.

Затискний патрон без ключа (рис. 1, 4-6)

DWD014S, DWD014S-XE

Для більшої зручності інструменти DWD014S і DWD014S-XE оснащені безключовим патроном (D).

ВСТАНОВЛЕННЯ СВЕРДЛА ТА ІНШОЇ НАСАДКИ

1. Візьміть задню частину патрона однією рукою та другою рукою поверніть передню його частину проти годинникової стрілки, як показано на рис. 4. Повертайте до тих пір, поки патрон достатньо не розкриється, щоб в нього можна було вставити необхідну насадку.
2. Вставте свердел або іншу насадку 19 мм (3/4") повністю у патрон та міцно затягніть його, тримаючи задню частину патрона та повертаючи його передню частину за годинниковою стрілкою. Коли патрон майже затягнений, ви почуєте звук клацання. Після 4–6 клацань патрон буде надійно затягнений.

3. Щоб витягнути насадку, повторіть описаний вище крок 1.



УВАГА! Не намагайтеся затягувати свердел (або іншу насадку), тримаючи передню частину патрона та вмикаючи інструмент. Це може призвести до ушкодження патрона та травм.

ЗМІННЯНЯ БЕЗКЛЮЧОВОГО ПАТРОНА (РИС. 5)

Затисніть в патроні коротший кінець шестигранного ключа (не входить до комплекту інструмента). М'яким молотком або дерев'яним брусом вдарте по довшому кінцю ключа, повертаючи його проти годинникової стрілки. Таким чином, патрон буде послаблений, і його можна буде відкрутити вручну.

УСТАНОВКА БЕЗКЛЮЧОВОГО ПАТРОНА (РИС. 6)

Нагвинтіть патрон вручну наскільки можливо. Затисніть у патроні коротший кінець шестигранного ключа (не входить до комплекту інструмента) і м'яким молотком вдарте по довшому кінцю, повертаючи його за годинниковою стрілкою.

РЕЖИМ РОБОТИ

Інструкції з використанню



ПОПЕРЕДЖЕННЯ: Дотримуйтесь загального переліку інструкцій з техніки безпеки та відповідних норм.



УВАГА! Щоб знизити ризик виникнення травми, вимкніть інструмент та відключіть його від мережі живлення перед встановленням та зміненням аксесуарів, перед виконанням налаштувань або заміною приладдя, а також перед ремонтом. Переконайтеся, що вимикач знаходиться в положенні Вимк. Випадковий запуск може призвести до травм.

Тригерний перемикач (рис. 1)

Щоб увімкнути інструмент, натисніть на тригерний перемикач. Щоб вимкнути дріль, відпустіть тригерний перемикач.

ПРИМІТКА. Використовуйте низьку швидкість для початку свердління отворів без попереднього керніння, а також для свердління металів, пластику, кераміки або при закручуванні гвинтів. Висока швидкість

краще підійде для свердління деревини і змішаних матеріалах, а також при використанні абразивних і полірувальних насадок.

РЕГУЛЮВАННЯ ШВИДКОСТІ

За допомогою тригерного перемикача змінної швидкості (А) можна регулювати швидкість: чим сильніше натискається перемикач, тим вище швидкість дрילה.

Для тривалої роботи натисніть і утримуйте перемикач змінної швидкості, змістіть кнопку блокування (В) вгору, а потім відпустіть перемикач.

Щоб зупинити інструмент при безперервній роботі, коротко натисніть перемикач та відпустіть його. Завжди вимикайте інструмент, коли робота завершена, та перед відключенням від мережі живлення.

Дисковий перемикач швидкості (рис. 1)

DWD014, DWD014S

Щоб зменшити швидкість, поверніть дисковий перемикач швидкості (G) проти годинникової стрілки. Щоб збільшити швидкість, поверніть дисковий перемикач за годинниковою стрілкою.

Вірне положення рук (рис. 7)



УВАГА! Щоб знизити ризик серйозних травм, **ЗАВЖДИ** правильно розташуйте руки, як показано на рис. 7.



УВАГА! Щоб знизити ризик серйозних травм, **ЗАВЖДИ** добре тримайте інструмент, щоб попередити випадкову віддачу.

При правильному положенні рук необхідно одну руку тримати під корпусом, а іншу — на основній ручці (Н).

Свердління



ПОПЕРЕДЖЕННЯ: Щоб знизити ризик отримання травми, **ЗАВЖДИ** надійно закріплюйте заготовку. При свердлінні тонких матеріалів підкладайте дерев'яний брусок, щоб уникнути їх пошкодження.

1. Завжди використовуйте гострі свердла. Для свердління ДЕРЕВИНИ використовуйте низьку швидкість і спіральні свердла, долотчасті свердла, шнекові свердла або коронки. Для свердління МЕТАЛУ

використовуйте низьку швидкість і спіральні свердла зі сталі або коронки.

2. Завжди натискайте на інструмент, спрямовуючи силу по прямій лінії зі свердлом. Натискайте так, щоб свердел продовжував робити отвір, але не дуже сильно, щоб не спричинити заїдання мотору та згинання свердла.
3. Міцно тримайте інструмент обома руками, щоб контролювати обертання свердла.



ОБЕРЕЖНО! У разі *перевантаження через раптове закручування свердла перфоратор може зупинитися. Завжди визначайте причину зупинки. Міцно утримуйте інструмент, щоб була можливість контролювати повороти свердла і уникнути травми.*

4. **ЗАЇДАННЯ ДРИЛЯ**, зазвичай, відбувається через перевантаження або неправильне використання інструменту. **ВІДРАЗУ ВІДПУСТІТЬ ПЕРЕМИКАЧ**, витягніть свердел з заготовки і визначте причину заїдання. **НЕ НАМАГАЙТЕСЯ ЗАПУСТИТИ ДРИЛЬ У РАЗІ ЗАЇДАННЯ, НАТИСКАЮЧИ ТА ВІДПУСКАЮЧИ ПЕРЕМИКАЧ — ЦЕ МОЖЕ ПОШКОДИТИ ІНСТРУМЕНТ.**

5. Для зведення до мінімуму ризику раптового заїдання інструменту або просвердлювання матеріалу наскрізь зменшіть тиск на дріль і обережно висвердліть останню частину отвору.
6. Мотор повинен працювати, коли ви витягаєте свердел з просвердленого отвору. Це дозволить уникнути заїдання.
7. При використанні дрילה зі змінною швидкістю немає необхідності у попередньому кернінні місця свердління. Починаючи свердління отвору, використовуйте низьку швидкість і шляхом натискання на перемикач поступово збільшуйте швидкість, поки отвір не буде достатньо глибоким, щоб свердел з нього не вискочив.

СВЕРДЛІННЯ МЕТАЛУ

Почніть свердління на низькій швидкості, поступово збільшуючи швидкість і добре натискаючи на інструмент. Плавний і рівномірний вихід металевих відходів з отвору вказує на належну швидкість свердління. Використовуйте мастильно-охолоджуючу рідину при свердлінні металу. Винятками при цьому є

чавун та латунь, які повинні бути сухими під час свердління.

ПРИМІТКА. Великі отвори в сталі [від 5/16" (8 мм) до 1/2" (13 мм)] легше виконати, якщо попередньо просвердлити пілотний отвір [від 5/32" (4 мм) до 3/16" (5 мм)].

СВЕРДЛІННЯ ДЕРЕВИНИ

Почніть свердління на низькій швидкості, поступово збільшуючи швидкість і добре натискаючи на інструмент. Отвори у дереві можна просвердлити такими самими спіральними свердлами, що використовуються для металу. Ці свердла можуть перегріватися, тому потрібно якомога частіше очищувати канавки свердла від відходів. Під заготовки, які можуть розколотися при свердлінні, слід підкладати дерев'яний брусок.

ТЕХНІЧНЕ ОБСЛУГОВУВАННЯ

Ваш інструмент виробництва компанії DEWALT призначений для роботи протягом довгого часу з мінімальним обслуговуванням. Тривала задовільна робота приладу залежить від належного обслуговування приладу та регулярного його очищення.



УВАГА! Щоб знизити ризик виникнення травми, вимкніть інструмент та відключіть його від мережі живлення перед встановленням та зніманням аксесуарів, перед виконанням налаштувань або заміною приладдя, а також перед ремонтом. Переконайтеся, що вимикач знаходиться в положенні Вимк. Випадковий запуск може призвести до травм.

Щітки мотору

Компанія DEWALT використовує покращену систему щіток, яка автоматично зупиняє дріль при зношенні щіток. Це дозволяє уникнути серйозного пошкодження мотору. Нові щітки можна придбати в офіційному сервісному центрі компанії DEWALT. Завжди використовуйте змінні деталі, ідентичні оригінальним.



Змащування

Ваш електричний інструмент не вимагає додаткового змащування.



Очищення



УВАГА! Видувайте бруд та пил зсередини основного корпусу за допомогою сухого повітря, коли пил та бруд стають помітними та починають збиратися біля вентиляційних отворів. Використовуйте схвалені засоби захисту органів зору та рекомендовану протипилову маску при виконанні даної операції.



УВАГА! Ніколи не використовуйте розчинники та інші агресивні хімічні засоби для очищення неметалевих деталей інструменту. Такі хімічні речовини можуть нанести шкоду матеріалам, що використовуються для цих деталей. Використовуйте вологу ганчірку, змочену лише водою з м'яким милом. Не дозволяйте рідині потрапляти всередину інструменту та ніколи не занурюйте деталі інструменту в рідину.

Додаткові аксесуари



УВАГА! Через те, що інші аксесуари, що не рекомендовані компанією DEWALT, не були перевірені з цим продуктом, використання таких аксесуарів з цим інструментом може бути небезпечним. Щоб знизити ризик травми, використовуйте лише аксесуари, рекомендовані компанією DEWALT.



ОБЕРЕЖНО! Щоб знизити ризик отримання травм, з даним інструментом слід використовувати насадки, розмір яких не перевищує розміри, зазначені у Технічних характеристиках.

Зверніться до свого дилера для отримання подальшої інформації щодо відповідних насадок.

Захист навколишнього середовища



Роздільний збір. Пристрої та батареї, позначені цим символом, не можна викидати зі звичайним побутовим сміттям.

Пристрої та батареї містять матеріали, які можна відновити та переробити, що зменшить потребу у сировині. Будь ласка, віддавайте електричні інструменти та батареї на переробку відповідно до місцевих постанов. Більш детальну інформацію можна отримати на сайті www.2helpU.com.



Виробник:
"Stanley Black & Decker Deutschland
GmbH" Black-&-Decker Str.40, D-65510
Idstein, Німеччина



ГАРАНТІЙНИЙ ТАЛОН

3 РОКИ
ГАРАНТІЇ

1. Вітаємо Вас з покупкою високоякісного виробу DEWALT і висловлюємо вдячність за Ваш вибір.
2. При покупці виробу вимагайте перевірки його комплектності і справності у Вашій присутності, інструкцію з експлуатації та заповнений гарантійний талон українською мовою. В гарантійному талоні повинні бути внесені: модель, дата продажу, серійний номер, дата виробництва інструменту; назва, печатка і підпис торгової організації. За відсутності у Вас правильно заповненого гарантійного талону, а також при невідповідності зазначених у ньому даних ми будемо змушені відхилити Ваші претензії щодо якості даного виробу.
3. Щоб уникнути непорозумінь, переконливо просимо Вас перед початком роботи з виробом уважно ознайомитися з інструкцією з його експлуатації. Правовою основою справжніх гарантійних умов є чинне Законодавство. Гарантійний термін на даний виріб складає 36 місяці і обчислюється з дня продажу. У разі усунення недоліків виробу, гарантійний строк продовжується на період його перебування в ремонті. Термін служби виробу становить 5 років з дня продажу.
4. У разі виникнення будь-яких проблем у процесі експлуатації виробу рекомендуємо Вам звертатися тільки в уповноважені сервісні центри DEWALT, адреси та телефони яких Ви зможете знайти в гарантійному талоні, на сайті www.2helpU.com або дізнатися в магазині. Наші сервісні станції - це не тільки кваліфікований ремонт, але і широкий асортимент запчастин і аксесуарів.
5. Виробник рекомендує проводити періодичну перевірку і технічне обслуговування виробу в уповноважених сервісних центрах.
6. Наші гарантійні зобов'язання поширюються тільки на несправності, виявлені протягом гарантійного терміну і викликані дефектами виробництва та \ або матеріалів.
7. Гарантійні умови не поширюються на несправності виробу, що виникли в результаті:
 - 7.1. Недотримання користувачем приписів інструкції з експлуатації виробу, застосування виробу не за призначенням, неправильного зберігання, використання приладдя, витратних матеріалів і запчастин, що не передбачені виробником.
 - 7.2. Механічного пошкодження (відколи, тріщини і руйнування) внутрішніх і зовнішніх деталей виробу, основних і допоміжних рукояток, мережевого кабелю, що викликані зовнішнім ударним або будь-яким іншим впливом
 - 7.3. Потраплення у вентиляційні отвори та проникнення всередину виробу сторонніх предметів, матеріалів або речовин, що не є відходами, які супроводжують застосування виробу за призначенням, такими як: стружка, тирса, пісок, та ін.
 - 7.4. Впливу на виріб несприятливих атмосферних і інших зовнішніх факторів, таких як дощ, сніг, підвищена вологість, нагрівання, агресивні середовища, невідповідність параметрів електромережі, що зазначені на інструменті.
 - 7.5. Стихійного лиха. Пошкодження або втрати виробу, що пов'язані з передбаченими лихами, стихійними явищами, у тому числі внаслідок дії непереборної сили (пожежа, блискавка, потоп і інші природні явища), а також внаслідок перепадів напруги в електромережі та іншими причинами, які знаходяться поза контролем виробника.
8. Гарантійні умови не поширюються:
 - 8.1. На інструменти, що піддавались розкриттю, ремонту або модифікації поза уповноваженим сервісним центром.
 - 8.2. На деталі, вузли та матеріали, що мають сліди природного зносу, такі як: приводні ремені і колеса, вугільні щітки, мастило, підшипники, зубчасті зчеплення редукторів, гумові ущільнення, сальники, направляючі ролики, муфти, вимикачі, бойки, штовхачі, стволи тощо.
 - 8.3. На змінні частини: патрони, цанги, затискні гайки і фланці, фільтри, ножі, шліфувальні підшови, ланцюги, зірочки, пильні шини, захисні кожухи, пилки, абразиви, пильні і абразивні диски, фрези, свердла, бури тощо
 - 8.4. На несправності, що виникли в результаті перевантаження інструменту (як механічного, так і електричного), що спричинили вихід з ладу одночасно двох і більше деталей і вузлів, таких як: ротора і статора, обох обмоток статора, веденої і ведучої шестерень редуктора або інших вузлів і деталей. До безумовних ознак перевантаження виробу відносяться, крім інших: поява кольорів млиновості, деформація або оплавлення деталей і вузлів виробу, потемніння або обуглювання ізоляції проводів електродвигуна під впливом високої температури.

Товар отриманий в справному стані, без видимих ушкоджень, в повній комплектації, перевірений у моїй присутності, претензій щодо якості товару не маю. З умовами гарантійного обслуговування ознайомлений і згоден.

П. І. Б. та підпис власника

Шановні клієнти, наша мережа авторизованих сервісних центрів постійно розширюється. Актуальну інформацію про обслуговування в місті, що цікавить вас, ви можете дізнатися на сайті

www.2helpU.com

Інформація про інструмент

Серійний номер/Дата виробництва

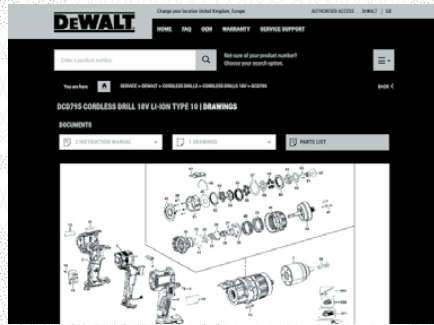
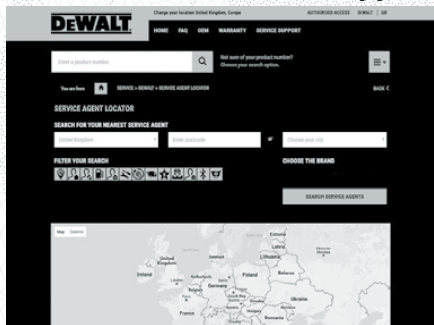
Найменування інструменту	
Модель	
Найменування продавця	
Дата продажу	

М.П.
Продавця

Інструмент	
Зарядний пристрій	
Акумулятор 1	
Акумулятор 2	

На сайті www.2helpU.com доступні наступні функції:

- Список авторизованих сервісних центрів
- Зручний пошук найближчого сервісного центру
- Керівництво з експлуатації
- Технічні характеристики
- Список деталей і запасних частин
- Схема складання інструменту



Також дану інформацію ви можете отримати, зателефонувавши за номером:
0 (800) 211 521 в Україні

ВІДМІТКА ПРО ПРОВЕДЕННЯ СЕРВІСНОГО ОБСЛУГОВУВАННЯ

№1	№2	№3	№4
№ замовлення	№ замовлення	№ замовлення	№ замовлення
Дата прийому	Дата прийому	Дата прийому	Дата прийому
Дата ремонту	Дата ремонту	Дата ремонту	Дата ремонту

Печатка і підпис сервісного центру

Печатка і підпис сервісного центру

Печатка і підпис сервісного центру

Печатка і підпис сервісного центру