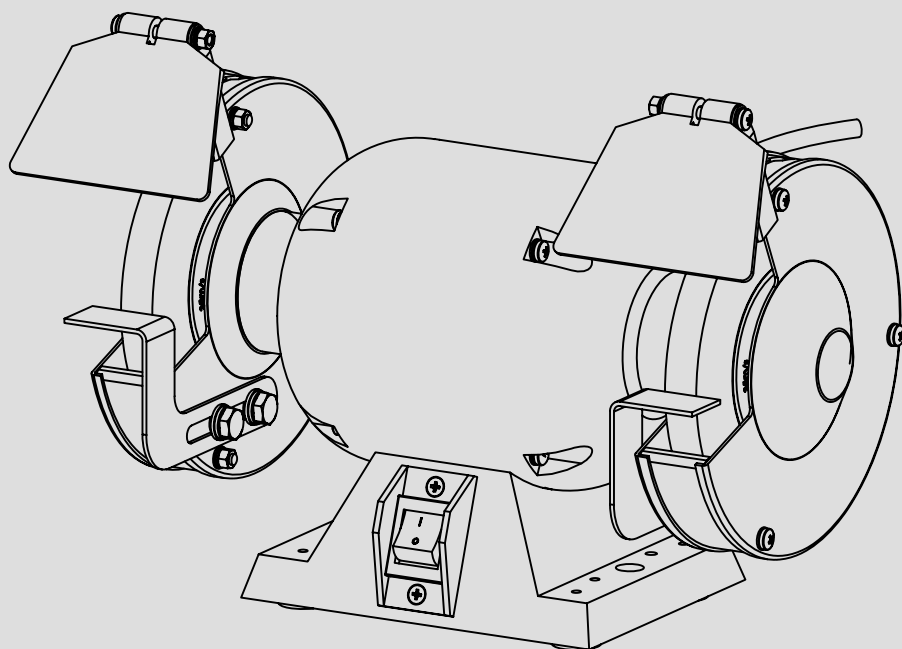


# STANLEY



**STGB3715**

English	Page 3
Russian	Page 13
Ukrainian	Page 23

FIG. 1

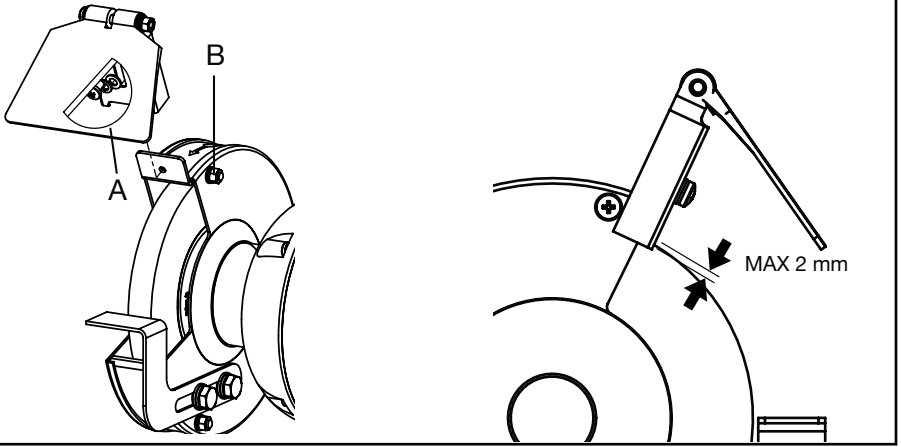


FIG. 2

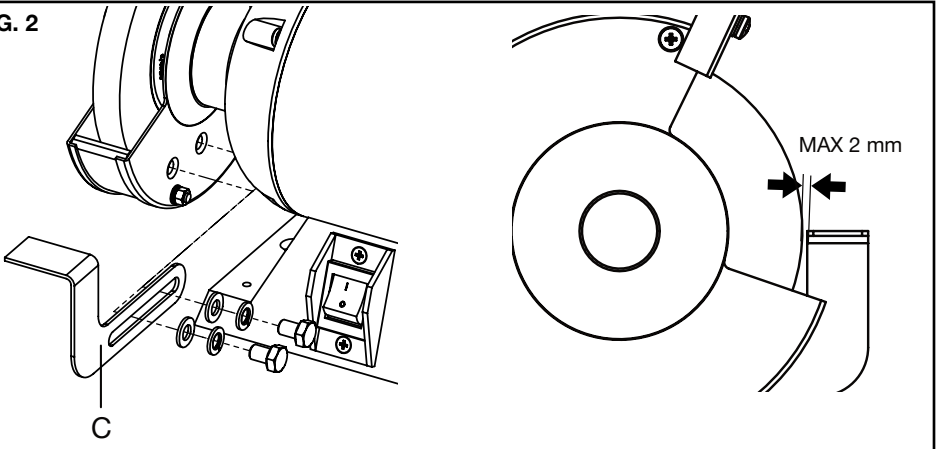
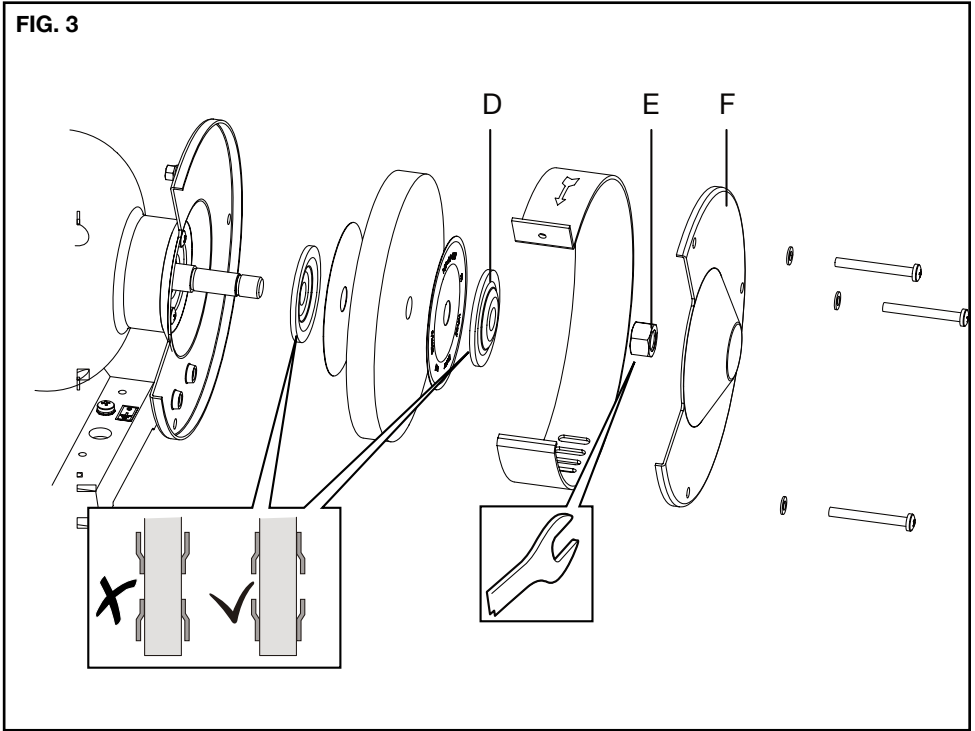


FIG. 3



**DO NOT RETURN THIS PRODUCT TO THE STORE,**

first contact your local STANLEY Office  
or nearest authorized service center.

**Intended use**

This tool is intended as a stationary machine for sharpening of hand tools as well as for grinding and deburring metal

**General Safety Rules**

**Warning!** Read and understand all instructions. Failure to follow all instructions listed below, may result in electric shock, fire and/or serious personal injury.

**SAVE THESE INSTRUCTIONS****Safety instructions****General power tool safety warnings**

**WARNING!** Read all safety warnings and all instructions. Failure to follow the warnings and instructions listed below may result in electric shock, fire and/or serious injury.

**Save all warnings and instructions for future reference.**

The term "power tool" in all of the warnings listed below refers to your mains operated (corded) power tool or battery operated (cordless) power tool.

**1. Work area safety**

- a. **Keep work area clean and well lit.** Cluttered or dark areas invite accidents.
- b. **Do not operate power tools in explosive atmospheres, such as in the presence of flammable liquids, gases or dust.** Power tools create sparks which may ignite the dust or fumes.
- c. **Keep children and bystanders away while operating a power tool.** Distractions can cause you to lose control.

**2. Electrical safety**

- a. **Power tool plugs must match the outlet. Never modify the plug in any way. Do not use any adapter plugs with earthed (grounded) power tools.** Unmodified plugs and matching outlets will reduce risk of electric shock.
- b. **Avoid body contact with earthed or grounded surfaces such as pipes, radiators, ranges and refrigerators.** There is an increased risk of electric shock if your body is earthed or grounded.

- c. **Do not expose power tools to rain or wet conditions.** Water entering a power tool will increase the risk of electric shock.
- d. **Do not abuse the cord. Never use the cord for carrying, pulling or unplugging the power tool. Keep cord away from heat, oil, sharp edges or moving parts.** Damaged or entangled cords increase the risk of electric shock.
- e. **When operating a power tool outdoors, use an extension cord suitable for outdoor use.** Use of a cord suitable for outdoor use reduces the risk of electric shock.
- f. **If operating a power tool in a damp location is unavoidable, use a residual current device (RCD) protected supply.** Use of an RCD reduces the risk of electric shock. Note: The term "Residual Current Device (RCD)" can be replaced by "Ground Fault Circuit Interrupter (GFCI)" or by "Earth Leakage Circuit Breaker (ELCB)".

**3. Personal safety**

- a. **Stay alert, watch what you are doing and use common sense when operating a power tool. Do not use a power tool while you are tired or under the influence of drugs, alcohol or medication.** A moment of inattention while operating power tools may result in serious personal injury.
- b. **Use personal protective equipment. Always wear eye protection.** Protective equipment such as dust mask, non-skid safety shoes, hard hat, or hearing protection used for appropriate conditions will reduce personal injuries.
- c. **Prevent unintentional starting. Ensure the switch is in the off-position before connecting to power source and/or battery pack, picking up or carrying the tool.** Carrying power tools with your finger on the switch or energising power tools that have the switch on invites accidents.
- d. **Remove any adjusting key or wrench before turning the power tool on.** A wrench or a key left attached to a rotating part of the power tool may result in personal injury.
- e. **Do not overreach. Keep proper footing and balance at all times.** This enables better control of the power tool in unexpected situations.
- f. **Dress properly. Do not wear loose clothing or jewellery. Keep your hair, clothing and gloves away from moving parts.** Loose clothes, jewellery or long hair can be caught in moving parts.

- g. If devices are provided for the connection of dust extraction and collection facilities, ensure these are connected and properly used.** Use of dust collection can reduce dust-related hazards.
- 4. Power tool use and care**
- a. Do not force the power tool. Use the correct power tool for your application.** The correct power tool will do the job better and safer at the rate for which it was designed.
- b. Do not use the power tool if the switch does not turn it on and off.** Any power tool that cannot be controlled with the switch is dangerous and must be repaired.
- c. Disconnect the plug from the power source and/or the battery pack from the power tool before making any adjustments, changing accessories, or storing power tools.** Such preventive safety measures reduce the risk of starting the power tool accidentally.
- d. Store idle power tools out of the reach of children and do not allow persons unfamiliar with the power tool or these instructions to operate the power tool.** Power tools are dangerous in the hands of untrained users.
- e. Maintain power tools. Check for misalignment or binding of moving parts, breakage of parts and any other condition that may affect the power tools operation. If damaged, have the power tool repaired before use.** Many accidents are caused by poorly maintained power tools.
- f. Keep cutting tools sharp and clean.** Properly maintained cutting tools with sharp cutting edges are less likely to bind and are easier to control.
- g) Use the power tool, accessories and tool bits etc. in accordance with these instructions, taking into account the working conditions and the work to be performed.** Use of the power tool for operations different from those intended could result in a hazardous situation.
- 5. Service**
- a. Have your power tool serviced by a qualified repair person using only identical replacement parts.** This will ensure that the safety of the power tool is maintained.

## Additional Safety Rules For Bench Grinders

- Always use proper guard with grinding wheel. A guard protects operator from broken wheel fragments.
- Accessories must be rated for at least the speed recommended on the tool warning label. Wheels and other accessories running over the rated speed can fly apart and cause injury.
- Before using, inspect recommended accessory for cracks or flaws. If such a crack or flaw is evident, discard the accessory. **DO NOT USE A GRINDING WHEEL THAT IS CRACKED OR FLAWED IN ANY WAY.**
- When starting the tool, let it run for one minute. Never start the tool with a person in line with the wheel. This includes the operator.
- Do not grind on the sides of grinding wheels unless they are specifically designed for that purpose.
- Do not overtighten wheel clamp nut. This may crack the grinding wheel.
- Clean the cavity around the grinding wheel periodically.

**Warning!** Some dust created by power sanding, sawing, grinding, drilling, and other construction activities contains chemicals known to cause cancer, birth defects or other reproductive harm. Some examples of these chemicals are:

- Lead from lead-based paints,
- Crystalline silica from bricks and cement and other masonry products, and arsenic and chromium from chemically-treated lumber. (CCA)


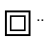





Your risk from these exposures varies, depending on how often you do this type of work. To reduce your exposure to these chemicals: Work in a well ventilated area, and work with approved safety equipment, such as those dust masks that are specially designed to filter out microscopic particles.

- Wear protective glasses;
- Do not use damaged or unshaped wheels;
- The adjustment of the spark arrestor shall be made frequently, so as to compensate the wear of the wheel, keeping the distance between the guard and the wheel as small as possible, but in any case not greater than 2mm;

- The adjustment of the work rest shall be done gradually so as to compensate the wear of the wheel, keeping the distance between the work rest and the wheel as small as possible, but in any case not greater than 2mm;
  - Allow the tool to cool down after a continuous use of 20 minutes (S2 20min)
  - Basic information on grinding wheels
1. Put grinding wheel in individual package, and keep in a dry and well-ventilated place.
  2. Various shortcomings during installation and operation can lead to bursting of grinding wheels.
  3. Ordinary grinding wheels are generally not designed to withstand a greater lateral load.
  4. Tap off cutting debris from the grinding wheel always leads to damage of the grinding wheel.
  5. Grinding wheels which may have an imbalance burst easily.
  6. An unbalance of a grinding wheel can not be completely removed by withdrawing with a diamond dresser.
  7. Incorrectly stored grinding wheels can burst immediately after switching on, or individual small fragments fly away like a bullet.
- Releasing jammed accessories. Release the pressure on work piece, grinding wheels will return running.
  - Lifting and transportation. Stop and disconnect machine. Use two hands to lift up machine from two sides of bottom of bearing housing.
  - The work piece should be suitable for opening size between wheels and plate. The machine is designed and manufactured exclusively for grinding metals using properly authorized grinding wheels. The grinding machine must be used exclusively for this purpose.

**6. Labels on tool**

The label on your tool may include the following symbols:

	Read Instructions Manual	Hz ..... Hertz		Class II Construction
	Use Eye Protection	W ..... Watts		Earthing Terminal
	Use Ear Protection	min ..... minutes		Safety Alert Symbol
			.....	Revolutions or Reciprocation per minute
		==== Direct Current	.../min..	
V ..... Volts		n <sub>0</sub> ..... No-Load Speed		
A ..... Amperes				

**Position of date barcode**

The Date Code, which also includes the year of manufacture, is printed into the housing.  
Example:

2014 XX JN  
Year of manufacturing

**Package Contents**

The package contains:

- 1 Bench Grinder
- 2 Tool Rests
- 2 Eye Shields
- 2 Mounting Brackets
- 1 Instruction Manual

**Features**

This tool includes some or all of the following features.

- A. Spark Guard
- B. Screw
- C. Tool Rest
- D. Flange
- E. Clamping Nut
- F. Protective Cover

## 7. Electrical safety



**Warning!** If the power cord is damaged, it must be replaced by the manufacturer, authorized STANLEY Service Center or an equally qualified person in order to avoid damage or injury. If the power cord is replaced by an equally qualified person, but not authorized by STANLEY, the warranty will not be valid.

## Bench Mounting

1. The grinder should be unplugged.
2. Position grinder on workbench. Check for the availability of power for the grinder. Mark location of holes for drilling.
3. Drill appropriate sized holes.
4. Insert 1/4" (6mm) Hex head bolts through washers and the holes. You may want to use washers on the underside of the bench as well.
5. Tighten the nuts. Do not overtighten. Allow the rubber feet to absorb the vibration when the grinder is running.

## Installing eye shields and mounting of spark guard (Fig. 1)

**Turn off tool and disconnect from power supply.** Adjust the eye shields so they are between the wheels and your eyes.

**Note: Eye shields are not designed to replace safety glasses.**

- Mounting of spark guard
- loosen screw B (do not remove it)

! regularly check the distance between spark guard A and the grinding wheel (max. 2 mm) and re-adjust, if necessary

- replace the grinding wheel, if it is worn down to the point where spark guard A can no longer be adjusted to the maximum distance of 2 mm

## Installing tool rests (Fig. 2)

**Turn off power and disconnect from power supply.** Use the bolts, washers, spacers and lock nuts from the plastic

bag to secure the brackets and tool rests in place.



**Caution:** Use the washers and screws supplied. Longer screws may interfere with the movement of the grinding wheel.

! regularly check the distance between tool rest C and the grinding wheel (max. 2 mm) and re-adjust, if necessary

- Mounting tool on working surface

## Operation

**Never use a bench grinder if it is not firmly fastened to a work bench or rigid frame.** Before turning the grinder on, put on safety glasses. Turn on the grinder and allow it to reach full speed ( 2950 /min ) . Hold the workpiece firmly and against the tool rest. Hold very small pieces with pliers or other suitable clamps. Feed the work smoothly and evenly into the grinding wheel. Move the work slowly and avoid jamming the work against the wheel. As the wheel tends to slow down you should occasionally release the pressure to let the wheel return to full speed.

Grind only on the face of the grinding wheel and never on the side. (Some wheels are designed for side grinding and will say so on their instruction sheets).



**Caution:** Prolonged grinding will cause most materials to become hot. Handle them with pliers.

## Switch

The switch is located on the front of the grinder, on the base. To turn the tool on depress the side of the rocker switch on the right side, marked "1". To turn off the grinder, depress the left side of the rocker switch, marked " O " .

## Changing Accessories

Turn off the tool and disconnect from power supply. Use only wheels that measure 152mm in diameter. This tool has 13mm arbors on both sides. Follow the steps below to remove and replace an accessory.

Replacing grinding wheels (FIG.3)

! disconnect the plug

! use only grinding wheels with an allowable speed

matching at least the highest no-load speed of the tool

! use only original Stanley grinding wheels

- remove protective cover F by loosening (not removing) the 3 screws B
- unscrew clamping nut E with a spanner
- remove clamping flange D and grinding wheel
- for mounting new grinding wheel handle in reversed order

! perform a sound-test on new grinding wheels and test-run them without load for at least 5 minutes (stay out of danger area)

### Maintenance

Your tool has been designed to operate over a long period of time with a minimum of maintenance. Continuous satisfactory operation depends upon proper tool care and regular cleaning.

**Warning!** Before performing any maintenance, switch off and unplug the tool.

- Regularly clean the ventilation slots in Your tool using a soft brush or dry cloth.
- Regularly clean the motor housing using a damp cloth. Do not use any abrasive or solvent-based cleaner.

### Cleaning

Blowing dust and grit out of the wheel guards using compressed air is a necessary regular maintenance procedure. Dust and grit containing metal particles often accumulate on interior surfaces and could create an electrical shock hazard if not frequently cleaned out.

**ALWAYS WEAR SAFETY GLASSES.**

**Caution!** Never use solvents or other harsh chemicals for cleaning the non-metallic parts of the tool. Use clean, dry rag only.

### Accessories

The performance of your tool depends on the accessory used. STANLEY accessories are engineered to high quality standards and designed to enhance the performance of your tool. By using these accessories you will get the very best from your tool.

### Specifications

<b>STGB3715</b>	
Voltage	220-240V
Frequency	50/60Hz
Power	373W
No-load speed	2950/min (rpm)
Wheel diameter	152mm (6")
Cord	1m
Weight	8.6kg

### Service Information

STANLEY offers a full network of company-owned and authorized service locations. All STANLEY Service Centers are staffed with trained personnel to provide customers with efficient and reliable power tool service. For more information about our authorized service centers and if you need technical advice, repair, or genuine factory replacement parts, contact the STANLEY location nearest you.

$L_{pA}$ (sound pressure)	dB(A)	58,0
$K_{pA}$ (sound pressure uncertainty)	dB(A)	3
$L_{WA}$ (sound power)	dB(A)	72.5
$K_{WA}$ (sound power uncertainty)	dB(A)	3



## Protecting the environment



Separate collection. This product must not be disposed of with normal household waste.

Should you find one day that your Stanley product needs replacement, or if it is of no further use to you, do not dispose of it with household waste. Make this product available for separate collection.



Separate collection of used products and packaging allows materials to be recycled and used again. Re-use of recycled materials helps prevent

environmental pollution and reduces the demand for raw materials.

Local regulations may provide for separate collection of electrical products from the household, at municipal waste sites or by the retailer when you purchase a new product. Stanley provides a facility for the collection and recycling of Stanley products once they have reached the end of their working life. To take advantage of this service please return your product to any authorised repair agent who will collect them on our behalf.

You can check the location of your nearest authorised repair agent by contacting your local Stanley office at the address indicated in this manual. Alternatively, a list of authorised Stanley repair agents and full details of our after-sales service and contacts are available on the Internet at: [www.2helpU.com](http://www.2helpU.com)

## EC declaration of conformity

MACHINERY DIRECTIVE



STGB3715

STANLEY declares that these products described under "technical data" are in compliance with: 2006/42/EC, EN 61029-1, EN 61029-2-4

These products also comply with Directive 2014/30/EU and 2011/65/EU. For more information, please contact STANLEY at the following address or refer to the back of the manual.

The undersigned is responsible for compilation of the technical file and makes this declaration on behalf of STANLEY.

R.Laverick  
Engineering Manager  
STANLEY , Europe, Egide Walschaertsstraat14-18,  
2800 Mechelen, Belgium  
01.2015

## Two year full warranty

If your STANLEY product becomes defective due to faulty materials or workmanship within 24 months from the date of purchase, STANLEY Europe guarantees to replace all defective parts free of charge or – at our discretion – replace the unit free of charge provided that:

- The product has not been misused and has been used in accordance with the instruction manual.
- The product has been subject to fair wear and tear;
- Repairs have not been attempted by unauthorised persons;
- Proof of purchase is produced.
- The STANLEY product is returned complete with all original components

If you wish to make a claim, contact your seller or check the location of your nearest authorised STANLEY repair agent in the STANLEY catalogue or contact your local STANLEY office at the address indicated in this manual. A list of authorised STANLEY repair agents and full details of our after sales service is available on the internet at: [www.stanleytools.com](http://www.stanleytools.com)

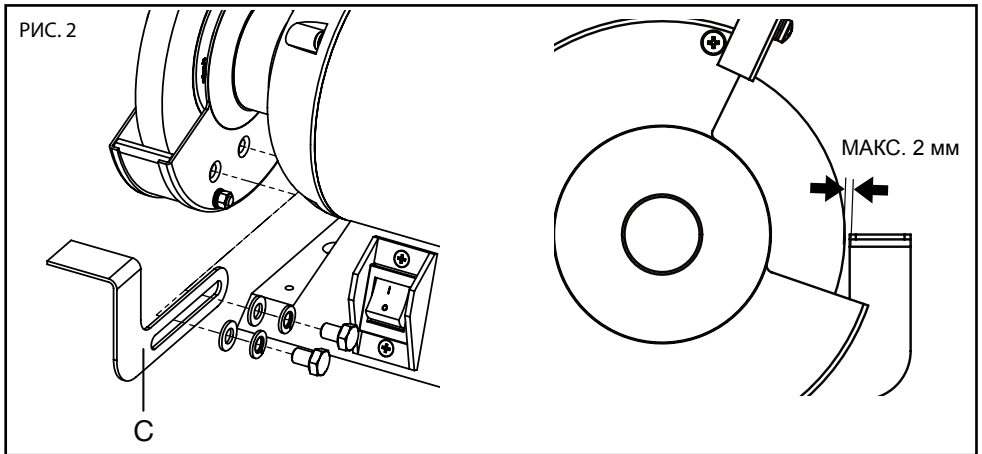
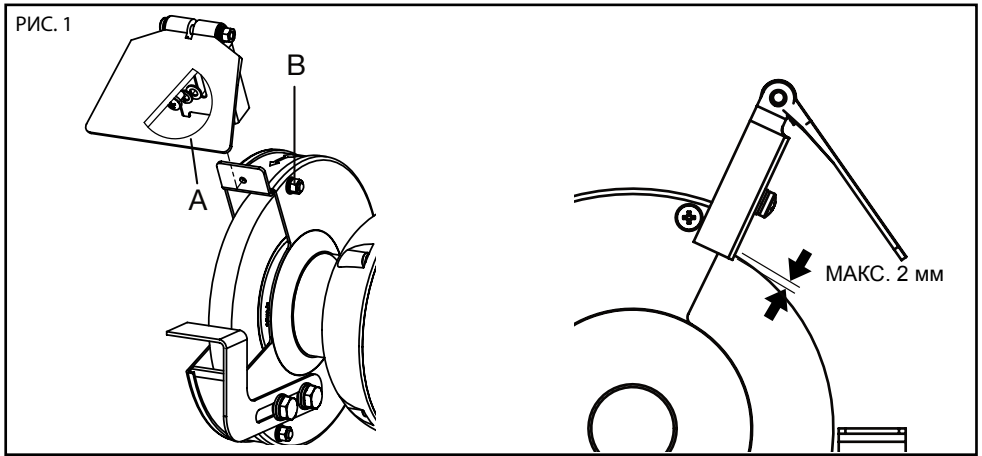
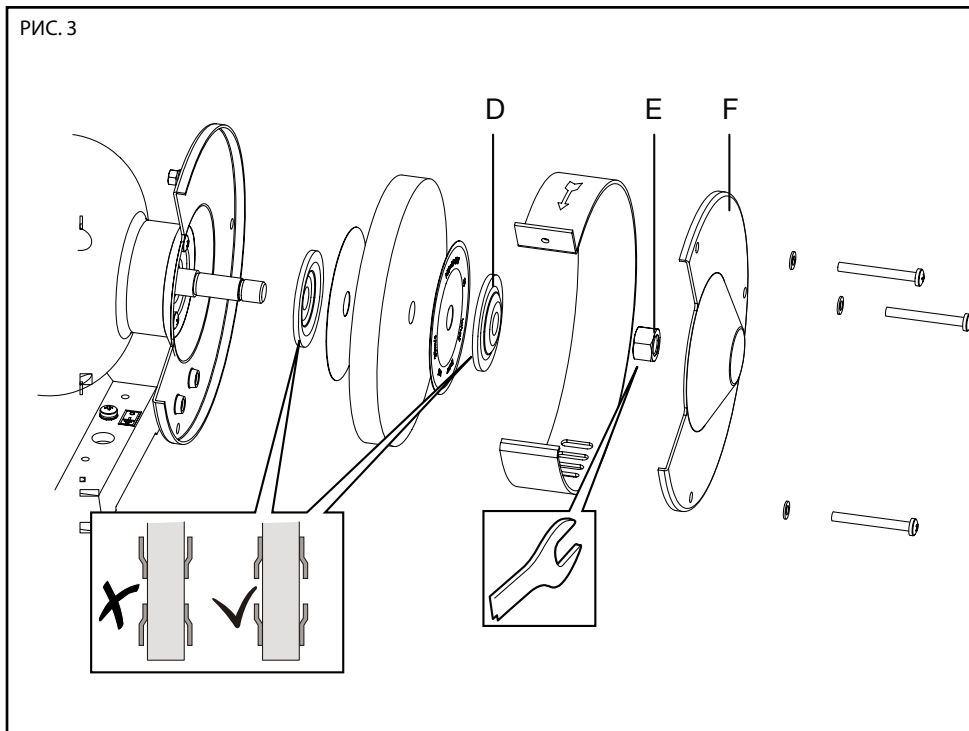


РИС. 3



**Не возвращайте данный инструмент в магазин,** сначала обратитесь в местный офис STANLEY или ближайший авторизованный сервисный центр STANLEY.

## Назначение

Данный инструмент предназначен для использования в качестве стационарного станка для заточки ручных инструментов, а также для шлифовки и зачистки металлов.

## Общие правила безопасности



**Внимание!** Внимательно прочтите все инструкции. Несоблюдение всех перечисленных ниже инструкций может привести к поражению электрическим током, возникновению пожара и/или получению серьёзной травмы.

## СОХРАНИТЕ ДАННЫЕ ИНСТРУКЦИИ

### Инструкции по технике безопасности

Общие правила безопасности при работе с электроинструментами



**ВНИМАНИЕ!** Внимательно прочтите все инструкции по безопасности и руководство по эксплуатации. Несоблюдение всех перечисленных ниже правил безопасности и инструкций может привести к поражению электрическим током, возникновению пожара и/или получению тяжёлой травмы.

**Сохраните все инструкции по безопасности и руководство по эксплуатации для их дальнейшего использования.**

Термин «Электроинструмент» во всех приведённых ниже указаниях относится к Вашему сетевому (с кабелем) или аккумуляторному (беспроводному) электроинструменту.

#### 1. Безопасность рабочего места

**Содержите рабочее место в чистоте и обеспечьте хорошее освещение.** Плохое освещение или беспорядок на рабочем месте может привести к несчастному случаю.

**Не используйте электроинструменты, если есть опасность возгорания или взрыва, например, вблизи легко воспламеняющихся жидкостей, газов или пыли.** В процессе работы электроинструменты создают искровые разряды, которые могут воспламенить пыль или горючие пары.

**Во время работы с электроинструментом не подпускайте близко детей или посторонних лиц.** Отвлечение внимания может вызвать у Вас потерю контроля над рабочим процессом.

## 2. Электробезопасность

**Вилка кабеля электроинструмента должна соответствовать штепсельной розетке. Ни в коем случае не видоизменяйте вилку электрического кабеля.** Не используйте соединительные штепсели-переходники, если в силовом кабеле электроинструмента есть провод заземления. Использование оригинальной вилки кабеля и соответствующей ей штепсельной розетки уменьшает риск поражения электрическим током.

**Во время работы с электроинструментом избегайте физического контакта с заземлёнными объектами, такими как трубопроводы, радиаторы отопления, электроплиты и холодильники.** Риск поражения электрическим током увеличивается, если Ваше тело заземлено.

**Не используйте электроинструмент под дождём или во влажной среде.** Попадание воды в электроинструмент увеличивает риск поражения электрическим током.

**Бережно обращайтесь с электрическим кабелем. Ни в коем случае не используйте кабель для переноски электроинструмента или для вытягивания его вилки из штепсельной розетки.** Не подвергайте электрический кабель воздействию высоких температур и смазочных веществ; держите его в стороне от острых кромок и движущихся частей инструмента. Повреждённый или запутанный кабель увеличивает риск поражения электрическим током.

**При работе с электроинструментом на открытом воздухе используйте удлинительный кабель, предназначенный для наружных работ.** Использование кабеля, пригодного для работы на открытом воздухе, снижает риск поражения электрическим током.

**При необходимости работы с электроинструментом во влажной среде используйте источник питания, оборудованный устройством защитного отключения (УЗО). Использование УЗО снижает риск поражения электрическим током.** Примечание: Термин «Устройство защитного отключения» (УЗО) может быть заменен термином «Выключатель короткого замыкания на землю (ВКЗЗ)» или «Автоматический выключатель с функцией защиты при утечке на землю».

#### 3. Личная безопасность

**При работе с электроинструментами будьте внимательны, следите за тем, что Вы делаете, и руководствуйтесь здравым смыслом.** Не используйте электроинструмент, если Вы устали, а также находясь под действием алкоголя или понижающих реакцию лекарственных препаратов и других средств. Малейшая неосторожность при работе с электроинструментами может привести к серьёзной травме.

**При работе используйте средства индивидуальной защиты. Всегда надевайте защитные очки.** Своевременное использование защитного снаряжения, а именно: пылезащитной маски, ботинок на нескользящей подошве, защитного шлема или протившоумовых наушников, значительно снизит риск получения травмы.

**Не допускайте непреднамеренного запуска. Перед тем, как подключить электроинструмент к сети и/или аккумулятору, поднять или перенести его, убедитесь, что выключатель находится в положении «выключено».** Не переносите электроинструмент с нажатой кнопкой выключателя и не подключайте к сетевой розетке электроинструмент, выключатель которого установлен в положение «включено», это может привести к несчастному случаю.

**Перед включением электроинструмента снимите с него все регулировочные или гаечные ключи.** Регулировочный или гаечный ключ, оставленный закреплённым на вращающейся части электроинструмента, может стать причиной тяжёлой травмы.

**Не перенапрягайтесь. Всегда сохраняйте равновесие и устойчивую позу.** Это позволит Вам не потерять контроль при работе с электроинструментом в непредвиденной ситуации.

**Одевайтесь соответствующим образом. Во время работы не надевайте свободную одежду или украшения. Следите за тем, чтобы Ваши волосы, одежда или перчатки находились в постоянном отдалении от движущихся частей инструмента.** Свободная одежда, украшения или длинные волосы могут попасть в движущиеся части инструмента.

**Если электроинструмент снабжён устройством сбора и удаления пыли, убедитесь, что данное устройство подключено и используется надлежащим образом.** Использование устройства пылеудаления значительно снижает риск возникновения несчастного случая, связанного с запылённостью рабочего пространства.

#### **4. Использование электроинструментов и технический уход**

**Не перегружайте электроинструмент. Используйте Ваш инструмент по назначению.** Электроинструмент работает надёжно и безопасно только при соблюдении параметров, указанных в его технических характеристиках.

**Не используйте электроинструмент, если его выключатель не устанавливается в положение включения или выключения.** Электроинструмент с неисправным выключателем представляет опасность и подлежит ремонту.

**Отключайте электроинструмент от сетевой розетки и/или извлекайте аккумулятор перед регулированием, заменой принадлежностей или при хранении электроинструмента.** Такие меры предосторожности снижают риск случайного включения электроинструмента.

**Храните неиспользуемые электроинструменты в недоступном для детей месте и не позволяйте лицам, не знакомым с электроинструментом или данными инструкциями, работать с электроинструментом.** Электроинструменты представляют опасность в руках неопытных пользователей.

**Регулярно проверяйте исправность электроинструмента. Проверяйте точность совмещения и лёгкость перемещения подвижных частей, целостность деталей и любых других элементов электроинструмента, воздействующих на его работу.** Не используйте неисправный электроинструмент, пока он не будет полностью отремонтирован. Большинство несчастных случаев являются следствием недостаточного технического ухода за электроинструментом.

**Следите за остротой заточки и чистотой режущих принадлежностей.** Принадлежности с острыми кромками позволяют избежать заклинивания и делают работу менее утомительной.

**Используйте электроинструмент, аксессуары и насадки в соответствии с данным Руководством и с учетом рабочих условий и характера будущей работы.** Использование электроинструмента не по назначению может создать опасную ситуацию.

#### **5. Сервисное обслуживание**

**Ремонт Вашего электроинструмента должен производиться только квалифицированными специалистами с использованием идентичных запасных частей.** Это обеспечит безопасность Вашего электроинструмента в дальнейшей эксплуатации.

#### **Дополнительные правила техники безопасности для работы настольными точильными станками**

**Всегда используйте соответствующий защитный кожух для точильного круга. Защитный кожух защитит оператора от отлетающих частиц круга.**

Номинальная скорость вращения насадок должна соответствовать скорости, которая указана на предупредительной наклейке на инструменте. Круги и прочие насадки при вращении на скорости, превышающей их номинальную скорость, могут сорваться с крепления и стать причиной получения травмы.

Перед использованием, осмотрите рекомендованную насадку на предмет выявления трещин или дефектов. При обнаружении дефектов – замените насадку. Ни в коем случае не используйте точильные круги, если на них имеются трещины или сколы.

При включении инструмента дайте ему поработать вхолостую в течение одной минуты. Никогда не включайте инструмент, если на линии диска находятся люди. Это правило включает в себя и оператора.

Никогда не проводите точильные работы на боковых сторонах точильных кругов, кроме тех случаев, когда круги специально для этого предназначены.

Не затягивайте стопорную гайку круга слишком туго. Это может привести к повреждению круга.

Регулярно прочищайте пространства вокруг точильного круга.

**Внимание!** При шлифовании, пилении, зачистке, сверлении и выполнении других строительных работ возможно образование пыли, содержащей химические вещества, вызывающие онкологические заболевания, врожденные пороки или другие нарушения репродуктивных функций. Пример лишь некоторых из этих химических веществ:

Свинец, содержащийся в краске на свинцовой основе, кристаллический диоксид кремния, содержащийся в кирпиче, цементе и прочих стеновых материалах, а также мышьяк и хром, содержащийся в древесине, обработанной химическим способом.

Степень риска воздействия данных веществ повышается в зависимости от частоты выполнения подобных типов работ. Чтобы снизить степень риска воздействия данных химических веществ: работайте в хорошо проветриваемом помещении и с использованием защитного оборудования соответствующего типа, например, пылезащитных масок, специально разработанных для фильтрации микроскопических частиц.

Работайте в защитных очках;

Не используйте поврежденные или деформированные шлифовальные круги;

Регулировка искрогасителя должна выполняться регулярно и часто, чтобы компенсировать износ круга, сохраняя расстояние между кругом и защитным кожухом минимальным, но в любом случае, не более 2 мм;

Регулировка опоры для заготовки должна постоянно выполняться по ходу работы, чтобы компенсировать износ круга, сохраняя расстояние между кругом и опорой для заготовки минимальным, но в любом случае, не более 2 мм.

Давайте инструменту остыть после непрерывного использования в течение 20 минут.

Основная информация о шлифовальных кругах

Поместите точильный круг в отдельную упаковку и храните его в сухом, хорошо проветриваемом месте.

Недочёты во время установки и эксплуатации точильного круга могут привести к его разрушению.

Обычные точильные круги, как правило, не рассчитаны на выдерживание большой боковой нагрузки.

Выбивание мусора и отходов из точильного круга всегда приводит к его повреждению.

Разбалансированные точильные круги очень быстро разрушаются.

Разбалансированность точильного круга не может быть полностью устранена при помощи алмазного правящего устройства.

Без соблюдения условий хранения точильные круги могут взорваться непосредственно после запуска инструмента или их маленькие фрагменты могут разлететься в стороны, подобно пулям.



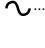

Извлечение заклинивших принадлежностей. Ослабьте давление на заготовку, и скорость вращения точильного круга снизится.

Переноска и транспортировка. Остановите станок и отсоедините его от источника питания. Поднимайте станок, удерживая его обеими руками за основание.

Размер заготовки должен соответствовать зазору между кругами и пластиной. Данный станок сконструирован и произведён специально для заточки и зачистки металлов с использованием авторизованных точильных кругов. Точильный станок должен использоваться исключительно для этих целей.

## Этикетки на инструменте

Этикетка на вашем инструменте может включать следующие символы:

	Читайте инструкции по эксплуатации	Гц ..... Герц		Конструкция класса II
	Используйте средства защиты глаз	Вт ..... Ватт		Терминал заземления
	Используйте средства защиты органов слуха	мин..... минуты		Символ предупреждения об опасности
			Переменный ток	...мин.. обороты или возвратно-поступательное движение в минуту
			Постоянный ток	
V ..... Вольт		$n_0$ ..... Скорость без нагрузки		
A ..... Ампер				

## Положение даты штрих-кода

Дата кода, который также включает год изготовления, печатается на корпусе.

Пример:

2014 XX JN  
Год изготовления

**Комплект поставки**

В упаковку входят:

- 1 Настольный точильный станок
- 2 Опоры для заготовок
- 2 Защитных щитка
- 2 Монтажных кронштейна
- 1 Руководство по эксплуатации

**Составные части**

Ваш инструмент может содержать все или некоторые из перечисленных ниже составных частей:

- A. Искрозащитный щиток
- B. Винт
- C. Опора для заготовки
- D. Фланец
- E. Зажимная гайка
- F. Защитная крышка

**7. Электробезопасность**

**Внимание!** Во избежание повреждения инструмента или получения травмы, замена повреждённого кабеля питания должна производиться только на заводе-изготовителе или в авторизованном сервисном центре STANLEY. При замене кабеля квалифицированным, но не уполномоченным фирмой STANLEY персоналом, гарантия на продукт является недействительной.

**Установка на рабочем столе**

Отсоедините точильный станок от источника питания.

Поместите точильный станок на рабочий стол. Проверьте наличие поблизости источника питания для точильного станка. Отметьте расположение монтажных отверстий, которые предстоит просверлить.

Просверлите отверстия нужного диаметра.

Вставьте через шайбы в отверстия 6 мм болты с шестигранными головками. Вы также можете использовать шайбы и с нижней стороны рабочего стола.

Затяните гайки. Не затягивайте слишком туго. Позвольте резиновым ножкам поглощать вибрационные колебания, когда точильный станок работает.

**Установка защитных щитков и монтаж искрозащитного щитка (Рис. 1)**

**Выключите инструмент и отсоедините его от источника питания.** Отрегулируйте положение защитных щитков таким образом, чтобы щитки находились между точильными кругами и Вашими глазами.

**Примечание:** Защитные щитки ни в коей мере не являются заменой защитным очкам.

Монтаж искрозащитного щитка

Ослабьте винт В (но не извлекайте его).

Регулярно проверяйте расстояние между искрозащитным щитком А и точильным кругом (макс. 2 мм). При необходимости отрегулируйте.

Когда точильный круг сильно изнашивается и регулировка искрозащитного щитка А до максимального расстояния в 2 мм станет невозможной, замените точильный круг.

**Установка опор для заготовок (Рис. 2)**

Выключите инструмент и отсоедините его от источника питания. Для установки кронштейнов и опор для заготовок на месте используйте болты, шайбы, проставочные кольца и стопорные гайки из пластикового пакета, входящего в комплект поставки инструмента.



**Предупреждение:** Используйте только болты и шайбы, входящие в комплект поставки инструмента. Более длинные болты могут помешать вращению точильного круга.

Регулярно проверяйте расстояние между опорой для заготовки С и точильным кругом (макс. 2 мм). При необходимости отрегулируйте.

Установите станок на рабочей поверхности.

**Эксплуатация**

Никогда не используйте точильный станок, если он надёжно не закреплён на рабочем столе или на неподвижном каркасе. Прежде чем включить точильный станок наденьте защитные очки. Включите станок и подождите, пока круг достигнет максимальной скорости (2950 об/мин). Крепко прижмите заготовку к опоре. Заготовки очень маленьких размеров удерживайте при помощи плоскогубцев или закрепляйте их специальными зажимными. Мягко и постепенно приблизьте заготовку к точильному кругу. Подавайте заготовку медленно, избегая заклинивания заготовки на точильном круге. При снижении скорости вращения круга немного ослабьте давление на заготовку, давая кругу возможность вернуться к максимальной скорости.

Выполняйте работу только на лицевой стороне круга, и никогда не боковой. (Некоторые круги предназначены для выполнения работ на их боковых сторонах; это будет указано в инструкциях, прилагаемых к кругу).



**Предупреждение:** Продолжительная заточка может стать причиной сильного нагревания заготовки. Удерживайте заготовку при помощи плоскогубцев.



## Пусковой выключатель

Пусковой выключатель расположен в передней части точильного станка, в его основании. Чтобы включить станок, нажмите на правую часть клавиши пускового выключателя с маркировкой «I». Чтобы выключить станок, нажмите на левую часть клавиши пускового выключателя с маркировкой «O».

## Смена насадок

Выключите инструмент и отсоедините его от источника питания. Используйте только круги с измеренным диаметром 152 мм. На данном станке имеются два посадочных вала 13 мм с каждой стороны. Чтобы снять и заменить насадку, следуйте изложенным ниже инструкциям.

### Замена точильных кругов (Рис. 3)

Отключите инструмент от источника питания.

Используйте только точильные круги, допустимая скорость которых соответствует самой высокой допустимой скорости инструмента без нагрузки.

Используйте только оригинальные точильные круги Stanley.

Снимите защитную крышку F, ослабив (но не извлекая полностью) три винта B.

Используя гаечный ключ, отвинтите зажимную гайку E.

Снимите зажимной фланец D и точильный круг.

Для установки нового точильного круга действуйте в обратном порядке.

Выполните проверку на шумовыделение и пробный запуск без нагрузки в течение мин. 5 минут новых точильных кругов (при этом стойте за пределами опасной зоны).

## Техническое обслуживание

Ваш инструмент рассчитан на работу в течение продолжительного времени при минимальном техническом обслуживании. Срок службы и надёжность инструмента увеличиваются при правильном уходе и регулярной чистке.

**Внимание!** Перед любыми видами работ по техническому обслуживанию выключайте инструмент и отключайте его от источника питания.

Регулярно очищайте вентиляционные отверстия Вашего инструмента мягкой щёткой или сухой тканью.

Регулярно очищайте корпус двигателя влажной тканью. Не используйте абразивные чистящие средства, а также чистящие средства на основе растворителей.

## Чистка

Чистка скопившейся за защитными кожухами пыли и

грязи при помощи сжатого воздуха является обязательной и регулярной процедурой. Скопившаяся на внутренних поверхностях инструмента пыль и опилки с металлическими частицами при редкой чистке может создать опасность поражения электрическим током.

**ВСЕГДА РАБОТАЙТЕ В ЗАЩИТНЫХ ОЧКАХ.**

**Предупреждение!** Никогда не используйте растворители или другие агрессивные химические средства для очистки неметаллических деталей инструмента. Используйте только чистую и сухую ткань.

## Дополнительные принадлежности

Производительность Вашего электроинструмента напрямую зависит от используемых принадлежностей. Принадлежности STANLEY изготовлены в соответствии с самыми высокими стандартами качества и способны увеличить производительность Вашего электроинструмента. Используя эти принадлежности, Вы достигнете наилучших результатов в работе.

## Технические характеристики

	STGB3715
Напряжение	220-240 В
Частота	50/60 Гц
Мощность	373 Вт
Число оборотов без нагрузки	2950 об/мин.
Диаметр круга	152 мм
Длина кабеля	1 м
Вес	8,6 кг

## Информация по техническому обслуживанию

STANLEY имеет обширную сеть принадлежащих компании авторизованных сервисных центров. В целях предоставления клиентам эффективного и надёжного технического обслуживания электроинструментов во всех сервисных центрах STANLEY работает обученный персонал. За дополнительной информацией о наших авторизованных сервисных центрах, а также если Вы нуждаетесь в технической консультации, ремонте или покупке оригинальных запасных частей, обратитесь в ближайший к Вам сервисный центр STANLEY.

$L_{pA}$ (звуковое давление)	дБ(A)	58,0
$K_{pA}$ (погрешность измерения звукового давления)	дБ(A)	3
$L_{wA}$ (акустическая мощность)	дБ(A)	72,5
$K_{wA}$ (погрешность измерения акустической мощности)	дБ(A)	3

**Защита окружающей среды**

Раздельный сбор. Данное изделие нельзя утилизировать вместе с обычными бытовыми отходами.

Если однажды Вы захотите заменить Ваше изделие Stanley или Вы больше в нем не нуждаетесь, не выбрасывайте его вместе с бытовыми отходами. Отнесите изделие в специальный приёмный пункт.



Раздельный сбор изделий с истекшим сроком службы и их упаковок позволяет пускать их в переработку и повторно использовать. Использование переработанных материалов помогает защищать окружающую среду от загрязнения и снижает расход сырьевых материалов.

Местное законодательство может обеспечить сбор старых электрических продуктов отдельно от бытового мусора на муниципальных свалках отходов, или Вы можете сдавать их в торговом предприятии при покупке нового изделия. Фирма Stanley обеспечивает прием и переработку отслуживших свой срок изделий Stanley. Чтобы воспользоваться этой услугой, Вы можете сдать Ваше изделие в любой авторизованный сервисный центр, который собирает их по нашему поручению.

Вы можете узнать место нахождения Вашего ближайшего авторизованного сервисного центра, обратившись в Ваш местный офис Stanley по адресу, указанному в данном руководстве по эксплуатации. Кроме того, список авторизованных сервисных центров Stanley и полную информацию о нашем послепродажном обслуживании и контактах Вы можете найти в интернете по адресу: [www.2helpU.com](http://www.2helpU.com)

**Декларация соответствия ЕС**  
ДИРЕКТИВА ПО МЕХАНИЧЕСКОМУ ОБОРУДОВАНИЮ



STGB3715

STANLEY заявляет, что продукты, обозначенные в разделе «Технические характеристики», разработаны в полном соответствии со стандартами: 2006/42/EC, EN 61029-1, EN 61029-2-4

Данные продукты также соответствуют Директивам 2014/30/EU и 2011/65/EU. За дополнительной информацией обращайтесь в STANLEY по указанному ниже адресу или по адресу, указанному на последней странице руководства.

Нижеподписавшееся лицо полностью отвечает за соответствие технических данных и делает это заявление от имени фирмы STANLEY.

R.Laverick  
Руководитель отдела технических разработок  
STANLEY, Europe, Egide Walschaertsstraat14-18,  
2800 Mechelen, Belgium  
01.2015

## Два года полной гарантии

При повреждении продукта STANLEY в течение 24 месяцев со дня покупки, произошедшего вследствие дефекта материалов или производственного брака, STANLEY гарантирует замену всех неисправных частей без взимания платы или, по нашему усмотрению, бесплатную замену самого инструмента, при условии, что:

- Продукт использовался без нарушения правил эксплуатации в соответствии с руководством по эксплуатации.
- Продукт пришел в негодность вследствие нормального износа;
- Ремонт продукта не производился посторонними лицами.
- Имеется подтверждение факта совершения покупки.
- Продукт STANLEY возвращен в полной комплектации и с наличием всех оригинальных составных частей.

Если Вы хотите подать заявку на гарантийное обслуживание, обратитесь к Вашему продавцу, в один из авторизованных сервисных центров STANLEY, список которых приведен в каталоге продукции STANLEY, или в ближайший сервисный центр STANLEY с по адресу, указанному на упаковке продукта или в данном руководстве по эксплуатации. Список авторизованных сервисных центров STANLEY и полную информацию о нашем послепродажном обслуживании Вы можете найти в интернете по адресу: [www.stanleytools.com](http://www.stanleytools.com)

# STANLEY

## Гарантийные условия

### Уважаемый покупатель!

1. Поздравляем Вас с покупкой высококачественного изделия STANLEY и выражаем признательность за Ваш выбор.
2. При покупке изделия требуйте проверки его комплектности и исправности в Вашем присутствии, инструкцию по эксплуатации и заполненный гарантийный талон на русском языке.

В гарантийном талоне должны быть внесены: модель, дата продажи, серийный номер, дата производства инструмента; название, печать и подпись торговой организации. При отсутствии у Вас правильно заполненного гарантийного талона, а также несоответствия указанных в нем данных мы будем вынуждены отклонить Ваши претензии по качеству данного изделия.

3. Во избежание недоразумений убедительно просим Вас перед началом работы с изделием внимательно ознакомиться с инструкцией по его эксплуатации. Правовой основой настоящих гарантийных условий является действующее Законодательство. Гарантийный срок на данное изделие составляет 24 месяца и исчисляется со дня продажи. В случае устранения недостатков изделия, гарантийный срок продлевается на период его нахождения в ремонте. Срок службы изделия составляет 5 лет со дня продажи.
4. В случае возникновения каких-либо проблем в процессе эксплуатации изделия рекомендуем Вам обращаться только в уполномоченные сервисные центры STANLEY, адреса и телефоны которых Вы сможете найти в гарантийном талоне, на сайте [www.2helpU.com](http://www.2helpU.com) или узнать в магазине. Наши сервисные станции - это не только квалифицированный ремонт, но и широкий ассортимент запчастей и принадлежностей.
5. Производитель рекомендует проводить периодическую проверку и техническое обслуживание изделия в уполномоченных сервисных центрах.

# EAC

Изготовитель

Блэк энд Деккер Холдингс ГмБХ  
Германия, 65510, Идштайн,  
ул. Блэк энд Деккер, 40

6. Наши гарантийные обязательства распространяются только на неисправности, выявленные в течение гарантийного срока и вызванные дефектами производства и/или материалов.
7. **Гарантийные условия не распространяются на неисправности изделия, возникшие в результате:**
  - 7.1. Несоблюдения пользователем предписаний инструкции по эксплуатации изделия, применения изделия не по назначению, неправильного хранения, использования принадлежностей, расходных материалов и запчастей, не предусмотренных производителем.
  - 7.2. Механического повреждения (сколы, трещины и разрушения) внутренних и внешних деталей изделия, основных и вспомогательных рукояток, сетевого электрического кабеля, вызванного внешним ударным или любым иным воздействием
  - 7.3. Попадания в вентиляционные отверстия и проникновение внутрь изделия посторонних предметов, материалов или веществ, не являющихся отходами, сопровождающими применение изделия по назначению, такими как: стружка, опилки, песок, и пр.
  - 7.4. Воздействий на изделие неблагоприятных атмосферных и иных внешних факторов, таких как дождь, снег, повышенная влажность, нагрев, агрессивные среды, несоответствие параметров питающей электросети, указанных на инструменте.
  - 7.5. Стихийного бедствия. Повреждение или утрата изделия, связанное с непредвиденными бедствиями, стихийными явлениями, в том числе вследствие действия непреодолимой силы (пожар, молния, потоп и другие природные явления), а так же вследствие перепадов напряжения в электросети и другими причинами, которые находятся вне контроля производителя.
8. **Гарантийные условия не распространяются:**
  - 8.1. На инструменты, подвергавшиеся вскрытию, ремонту или модификации вне уполномоченного сервисного центра.
  - 8.2. На детали и узлы, имеющие следы естественного износа, такие как: приводные ремни и колеса, угольные щетки, смазка, подшипники, зубчатое зацепление редукторов, резиновые уплотнения, сальники, направляющие ролики, муфты, выключатели, бойки, толкатели, стволы, и т.п.
  - 8.3. На сменные части: патроны, цанги, зажимные гайки и фланцы, фильтры, аккумуляторные батареи, ножи, шлифовальные подошвы, цепи, звездочки, пыльные шины, защитные кожухи, пилки, абразивы, пыльные и абразивные диски, фрезы, сверла, буры и т.п.
  - 8.4. На неисправности, возникшие в результате перегрузки инструмента (как механической, так и электрической), повлекшей выход из строя одновременно двух и более деталей и узлов, таких как: ротора и статора, обеих обмоток статора, ведомой и ведущей шестерни редуктора или других узлов и деталей. К безусловным признакам перегрузки изделия относятся, помимо прочего: появление цветов побелалости, деформация или оплавление деталей и узлов изделия, потемнение или обугливание изоляции проводов электродвигателя под воздействием высокой температуры.

FIG. 1

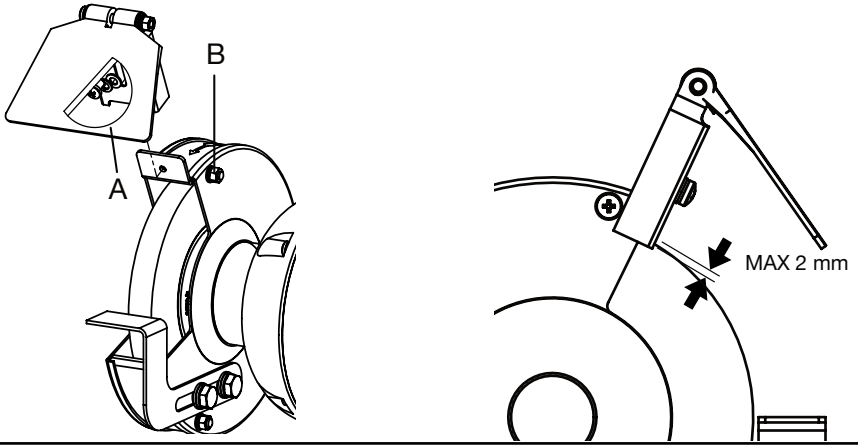


FIG. 2

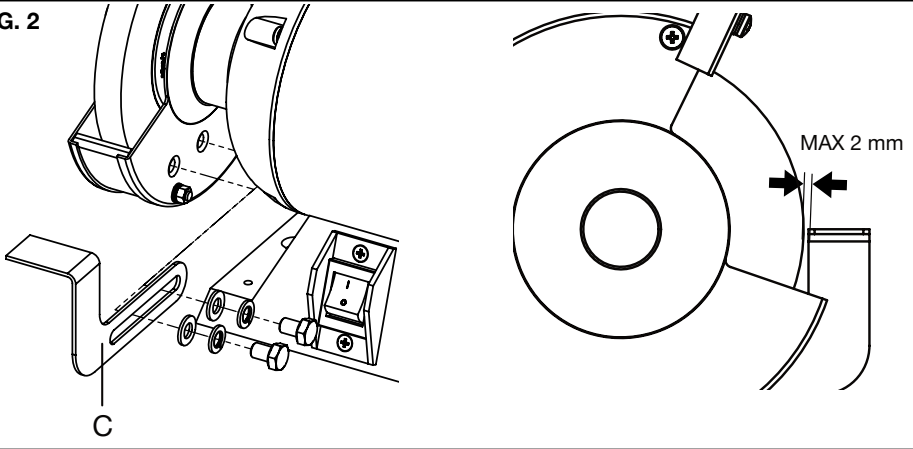
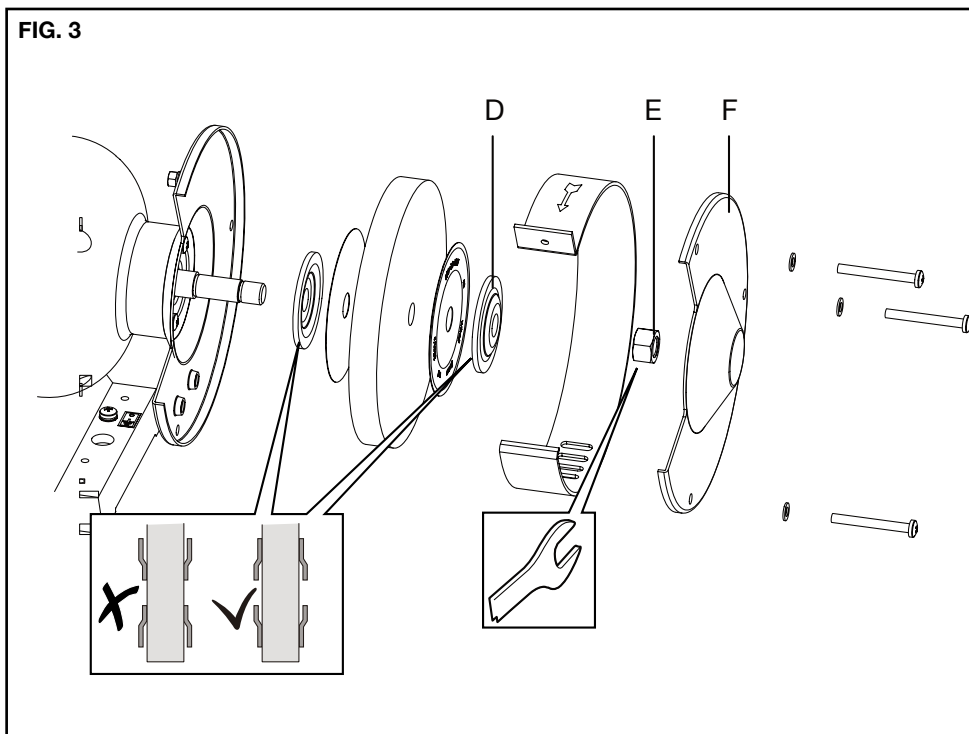


FIG. 3



**НЕ ПОВЕРТАЙТЕ ЦЕЙ ВИРІБ В МАГАЗИН,**  
спочатку зверніться до місцевого офісу STANLEY або в  
найближчий авторизований сервісний центр.

## Використання за призначенням

Цей інструмент призначений в якості стаціонарного верстата для заточування ручних інструментів, а також для шліфування і зняття задирок металу

### Загальні правила техніки безпеки



**Увага!** Прочитайте і зрозумійте всі інструкції. Недотримання інструкцій, зазначених нижче, може призвести до ураження електричним струмом, пожежі та/або серйозної травми.

## ЗБЕРЕЖІТЬ ЦІ ІНСТРУКЦІЇ

### Правила техніки безпеки

### Загальні попередження з техніки безпеки електроінструментів



**Увага!** Ознайомтеся з усіма правилами безпеки та інструкціями. Недотримання попереджень та інструкцій, зазначених нижче, може призвести до ураження електричним струмом, пожежі та/або серйозної травми.

### Збережіть всі попередження та інструкції для майбутнього використання.

Термін "електроінструмент" у всіх попередженнях, зазначених нижче, відноситься до мережевого (з кабелем) електроінструменту або акумуляторної батареї (без кабелю живлення).

#### 1. Безпека робочого місця

- a. **Утримуєте робоче місце в чистоті і добре освітленим.** Безлад на робочому місці або відсутність освітлення робочого місця може призвести до аварії.
- b. **Не працюйте з електроінструментом в місці зберігання вибухонебезпечних матеріалів, наприклад, у присутності легкозаймистих рідин, газів або пилу.** Електричні інструменти створюють іскри, що можуть запалити пил або пари.
- c. **Діти і сторонні особи повинні знаходитися якнайдалі під час роботи з електроприладами.** Ви можете відволіктися і втратити контроль.

#### 2. Електробезпека

- a. **Вилка електроінструмента повинна відповідати розетці. Ніколи не змінюйте вилку будь-яким чином. Не використовуйте ніякі вилки-перехідники з заземленими (замкнутими на**

**землю) електроінструментами.** Вилки і розетки, які не піддавалися ніяким змінам знижують ризик ураження електричним струмом.

- b. **Уникайте контакту тіла з заземленими поверхнями, такими як труби, радіатори, плити та холодильники.** Існує підвищений ризик ураження електричним струмом, якщо ваше тіло заземлене.
- c. **Уникайте будь-якого впливу дощу або вологи на електроінструменти.** Вода, що потрапила в електроінструмент, збільшує ризик ураження електричним струмом.
- d. **Обережно поведіться зі шнуром живлення. Ніколи не використовуйте шнур живлення для перенесення, переміщення або вилучення вилки з розетки. Тримайте шнур подалі від джерел тепла, масла, гострих країв або рухомих частин.** Пошкоджені або заплутані шнури збільшують ризик ураження електричним струмом.
- e. **При роботі з електроінструментом на вулиці, використовуйте подовжувач, відповідний для зовнішнього використання.** Використання кабелю, придатного для використання на відкритому повітрі, знижує ризик ураження електричним струмом.
- f. **При необхідності роботи з електроінструментом у вологому середовищі, використовуйте пристрій захисного відключення (ПЗВ).** Використання ПЗВ знижує ризик ураження електричним струмом.

#### 3. Особиста безпека

- a. **Будьте уважні, дивіться, що ви робите, використовуйте здоровий глузд при роботі з електроприладами. Не використовуйте електроінструмент, якщо ви втомилися або перебуваєте під впливом наркотиків, алкоголю або ліків.** Найменша необережність при роботі з електроінструментом може призвести до серйозних травм.
- b. **Використовуйте засоби індивідуального захисту. Завжди надягайте захисні окуляри.** Інше захисне обладнання, включаючи респіратор, черевики на нековзній підшві, захисний шолом або засоби захисту органів слуху, використовувани в належних умовах, зменшать ризик отримання травми.
- c. **Для запобігання випадкового запуску, переконайтеся, що перемикач знаходиться у вимкненому положенні перед підключенням до джерела живлення та/або акумуляторної батареї, підняття або перенесення інструменту.** Не переносьте електроінструмент з пальцем на вимикачі і не включайте електроживлення на інструмент з увімкненим вимикачем, що може призвести до нещасного випадку.

- d. Перед включенням електроінструменту знімайте регульовальний або гайковий ключ. Гайковий або регульовальний ключ, залишений на обертовій частині електроінструменту, може призвести до травми.
- e. Не тягніться. Зберігайте правильну стійку і баланс весь час. Це дозволяє краще контролювати інструмент в несподіваних ситуаціях.
- f. Одягайтеся правильно. Не надягайте вільний одяг або прикраси. Тримайте волосся, одяг і рукавички далеко від рухомих частин. Вільний одяг, прикраси або довге волосся можуть потрапити в рухомі частини.
- g. Якщо є пристрій для підключення пілозбірника або витяжки, переконайтеся в тому, що вони під'єднані і використовуються правильно. Використання пілозбірника знижує ймовірність виникнення ризиків, пов'язаних з пилом.
4. Використання та догляд за електроінструментом
- a. Не перевантажуйте електроінструмент. Використовуйте відповідний електричний інструмент для відповідного застосування. Правильно підібраний електроінструмент дозволить виконати роботу краще і безпечніше при швидкості, для якої він був розроблений.
- b. Не використовуйте електроінструмент, якщо перемикач не може його включити і вимкнути. Будь-який електроінструмент, який не можна контролювати за допомогою перемикача, є небезпечний і повинен бути відремонтований.
- c. Від'єднайте кабель живлення від джерела живлення та/або акумулятора від електричного інструменту перед виконанням будь-яких регулювань, заміни приладдя або при зберіганні електроінструменту. Такі профілактичні заходи безпеки зменшують ризик ненавмисного запуску електричного інструменту.
- d. Зберігайте електроприлади в недоступному для дітей місці і не дозволяйте особам, які не знайомі з електричним інструментом або даними інструкціями, працювати з електроприладами. Електроінструменти небезпечні в руках недосвідчених користувачів.
- e. Підтримання електроінструменту. Перевіряйте розрегульованість або з'єднання рухомих частин, паломки частин і будь-які інші умови, які можуть вплинути на роботу електроінструменту. При наявності пошкодження, відремонтуйте електроінструмент перед використанням. Багато нещасних випадків є наслідком поганого догляду за електроінструментом.
- f. Тримайте ріжучий інструмент гострим і чистим. Добре доглянутий ріжучий інструмент з гострими ріжучими крайками легше контролювати.
- g. Використовуйте електроінструмент, аксесуари та насадки відповідно до цих вказівок, приймаючи до уваги умови роботи і ті роботи, які повинні бути виконані. Використання електроінструменту для операцій, які відрізняються від тих, для яких він призначений, може призвести до небезпечної ситуації.
5. Обслуговування
- a. Забезпечте, щоб обслуговування і ремонт вашого електроінструменту проводився в авторизованому сервісному центрі по ремонту з використанням тільки оригінальних запасних частин. Це стане гарантією безпеки електроінструменту.

### Додаткові правила техніки безпеки для електроточила

- Завжди використовуйте правильний кожух для шліфувального круга. Кожух захищає оператора від зламаних фрагментів круга.
- Аксесуари повинні бути розраховані принаймні на швидкість, зазначену на попередженні на етикетці інструменту. Круги та інші аксесуари працюючі на номінальній швидкості можуть розлетітися і заподіяти травму.
- Перед використанням перевірте рекомендовані аксесуари на наявність тріщин або дефектів. Якщо така відмова чи недолік очевидний, треба відмовитися від використання аксесуара. НЕ ВИКОРИСТОВУВАТИ пошкоджені шліфувальні круги в будь-якому випадку.
- При запуску інструменту дайте йому попрацювати протягом однієї хвилини. Ніколи не запускайте інструмент, якщо будь-яка людина знаходиться на лінії відповідно до круга. Це стосується і оператора.
- Не шліфуйте з боків шліфувального круга, якщо він не призначен спеціально для цієї мети.
- Не перезатягуйте гайку зажима круга. Це може зламати шліфувальний круг.
- Періодично очищайте порожнину навколо шліфувального круга.

**Увага!** Пил, який утворюється в процесі шліфування, пиляння, шліфування, свердління та інших будівельних робіт, містить хімічні речовини, які можуть викликати рак, вроджені дефекти або інші порушення репродуктивної функції. Деякі приклади цих хімікатів:





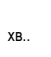


- Свинець від фарб на основі свинцю;



- Кристалічний кремнезем від цегли і цементу та інших кладок продуктів, миш'як і хром з хімічно обробленої деревини. Ризик від впливу даних речовин залежить від того як часто ви робите цей тип роботи. Щоб знизити вплив цих хімікатів: працюйте в добре провітрюваному приміщенні, а також користуйтеся відповідними засобами безпеки, такими як респіратори, які спеціально розроблені для фільтрації мікроскопічних часток;
- Носіть захисні окуляри;
- Не використовуйте пошкоджені круги;
- Регулювання іскрового розрядника треба робити постійно, щоб компенсувати знос круга, зберігаючи відстань між кожухом та кругом якомога менше, але в будь-якому випадку не більше ніж на 2 мм;
- Регулювання іншої частини роботи повинно бути зроблено поступово, щоб компенсувати знос круга, зберігаючи відстань між робочою частиною та кругом якомога менше, але в будь-якому випадку не більше ніж на 2 мм;
- Дозвольте інструменту охолонути після безперервного використання 20 хвилин (S2 20хв)
- Основна інформація про шліфувальні круги
  1. Покладіть шліфувальний круг в індивідуальну упаковку, і тримайте в сухому і добре провітрюваному місці.
  2. Різні недоліки при монтажі та експлуатації можуть призвести до розриву шліфувальних кругів.
  3. Звичайні шліфувальні круги зазвичай не розраховані на велике поперечне навантаження.
  4. Натиск в процесі різання на шліфувальний круг завжди призводить до пошкодження шліфувального круга.
  5. Шліфувальні круги, які мають дисбаланс можуть легко вибухнути.
  6. Дисбаланс шліфувального круга не може бути повністю видалений шляхом зняття з алмазної шафи.
  7. Шліфувальні круги, які неправильно зберігаються можуть лопнути відразу після включення, або окремі невеликі фрагменти розлітаються, як куля.
- Звільнення застряглого аксесуара. Треба послабити тиск на заготовлю, щоб повернути шліфувальні круги до нормальної роботи.
- Підйом і транспортування. Зупиніть і від'єднайте машину. Використовуйте дві руки, щоб підняти машину з двох сторін нижньої частини корпусу підшипника.
- Заготовля повинна бути придатною для відкриття розміру між колесами і пластиною. Машина розроблена і виготовлена виключно для шліфування металів з використанням належним чином санкціонованих шліфувальних кругів. Шліфувальний верстат повинен бути використаний виключно для цієї мети.

## Етикетки на інструменті

Етикетки на вашому інструменті можуть включати такі символи:

	Читайте інструкції з експлуатації	Гц ..... Герц		..... Конструкція класу II
	Використовуйте засоби захисту очей	Вт ..... Ватт		..... Термінал заземлення
	Використовуйте засоби захисту органів слуху	мин ..... хвилини		..... Символ попередження про небезпеку
				..... обороти або зворотно-поступальний рух в хвилину
				
V .....	Вольт	.....	Постійний струм	
A .....	Ампер	.....	Швидкість без навантаження	

## Положення дати штрих-коду

Дата коду, який також включає рік виготовлення, друкується на корпусі.

Приклад:

2014 XX JN  
Рік виготовлення

## Комплект поставки

У комплект входить:

- 1 електроточило
- 2 супорт
- 2 захисні окуляри
- 2 монтажні кронштейни
- 1 посібник користувача

## Характеристики

Цей інструмент включає в себе деякі або всі з таких ознак.

- a. Захисний кожух від іскр
- b. Гвинт
- c. Супорт
- d. Фланець
- e. Гайка
- f. Захисний чохол
7. Electrical safety

## 7. Електрична безпека



**Увага!** Якщо шнур живлення пошкоджений, він повинен бути замінений виробником, в авторизованому сервісному центрі STANLEY або кваліфікованим фахівцем для того, щоб уникнути пошкодження або травми. Якщо шнур живлення замінений кваліфікованим фахівцем, не уповноваженим Stanley, гарантія не діятиме.

## Монтаж на робочій стіл

1. Шліфувальний верстат повинен бути відключений.
2. Установіть шліфувальний верстат на робочому столі. Перевірте шліфувальний верстат на наявність електроживлення. Відзначіть розташування отворів для свердління.
3. Просвердліть отвори відповідного розміру.
4. Вставте 1/4" (6 мм) із шестигранною головкою через шайбу і отвори. Ви можете використовувати шайби також на нижній частині робочого столу.
5. Затягніть гайки. Не перезатягуйте. Гумові ніжки поглинають вібрацію при роботі шліфувального верстата.

## Установка засобів для захисту очей і монтаж захисного кожуха від іскр (мал. 1)

Вимкніть інструмент і відключіть від живлення. Відрегулюйте засіб захисту очей, щоб він знаходився між кругом і вашими очима.

Примітка: засіб захисту очей не призначений для заміни захисних окулярів.

- Для монтажу кожуха від іскр ослабте гвинт В (не видаляйте його)
- Регулярно перевіряйте відстань між кожухом від іскр і шліфувальним кругом (макс. 2 мм) і якщо необхідно, налаштуйте його знову
- Замініть шліфувальний круг, якщо він зношений до точки, де кожух від іскр не може бути скоригований з максимальною відстанню 2 мм

## Установка супорту (мал. 2)

Вимкніть живлення та від'єднайте від джерела живлення. Використовуйте болти, шайби, прокладки і стопорні гайки з пластикового пакета, щоб забезпечити, що дужки та інструмент знаходяться на потрібному місці.



**Увага:** Використовуйте шайби і гвинти, які входять в комплект поставки. Довші гвинти можуть заважати руху шліфувального круга.

Регулярно перевіряйте відстань між супортом С і шліфувальним кругом (макс. 2 мм) і якщо необхідно, налаштуйте його знову

- Встановіть інструмент на робочій поверхні

## Операція

Ніколи не використовуйте електроточило, якщо воно не щільно закріплено на верстаті або жорсткій рамі. Перед включенням шліфувальної машини, одягніть захисні окуляри. Увімкніть шліфувальну машину і дозвольте їй досягти повної швидкості (2950/хв). Тримайте заготовлю твердо і проти супорту. Тримайте дуже маленькі шматочки за допомогою пінцета або інших придатних затискачів. Подавайте заготовлю плавно і рівномірно на шліфувальний круг. Підведіть повільно і уникайте заклинювання. По мірі того, як круг сповільнюється, ви повинні час від часу випустити тиск, щоб дозволити кругу повернутися до повної швидкості.

Шліфуйте тільки на поверхні шліфувального круга, а не на стороні. (Деякі круги призначені для бічного шліфування, про що написано в інструкції до таких кругів).



**Увага:** Тривале шліфування нагріває матеріал. Використовуйте плоскогубці, щоб зняти матеріал.

## Перемикач

Перемикач знаходиться на передній частині шліфувальної машини, на основі. Щоб включити інструмент нажміть перемикач на правій стороні, з позначкою "1". Щоб відключити інструмент, натисніть ліву сторону перемикача, з відміткою "0".

## Зміна аксесуара

Вимкніть інструмент і відключити від живлення. Використовуйте тільки круги, які мають 152 мм в діаметрі. Цей інструмент має 13 мм альтанки з обох сторін. Дотримуйтеся інструкцій нижче, щоб видалити і замінити аксесуар.

Для заміни шліфувального круга (мал.3) вийміть вилку.

Використовуйте тільки шліфувальні круги з допустимою швидкістю, яка щонайменше відповідає найвищій швидкості холостого ходу інструменту

Використовувати тільки оригінальні шліфувальні круги Stanley

- Зняти захисну кришку F, послабивши (не знімаючи) 3 гвинти B
- Послабте затиску гайку E за допомогою гайкового ключа
- Видаліть затискний фланець D і шліфувальний круг
- Для установки нового шліфувального круга проведіть процедуру в зворотному порядку

Проведіть звуковий тест для нових шліфувальних кругів і пробного запуску їх без навантаження протягом принаймні 5 хвилин (триматися подалі від небезпечної зони).

## Обслуговування

- Ваш інструмент розрахований на роботу протягом тривалого періоду часу при мінімальному технічному обслуговуванні. Термін служби і надійність залежать від правильного догляду і регулярного чищення.

**Увага!** Перед проведенням технічного обслуговування, вимкніть і відключіть прилад.

- Регулярно очищайте вентиляційні прорізи вашого інструменту м'якою щіткою або сухою тканиною.
- Регулярно очищайте корпус двигуна вологою тканиною. Не використовуйте абразивні засоби для чищення або засоби на основі розчинника.

## Чищення

Видування пилу і піску з кожуха круга за допомогою стиснутого повітря є необхідною регулярною процедура обслуговування. Пил і пісок, який містить металеві частинки часто накопичується на внутрішніх поверхнях і може створити небезпеку ураження електричним струмом, якщо не проводити регулярні процедури чищення. **ЗАВЖДИ НАДЯГАЙТЕ ЗАХИСНІ ОКУЛЯРИ.**

**Увага!** Ніколи не використовуйте розчинники або інші агресивні хімікати для очищення неметалевих деталей інструменту. Використовуйте тільки чисту, суху ганчірку.

## Аксесуари

Продуктивність Вашого електроінструменту залежить від використовуваних аксесуарів. Аксесуари STANLEY розроблені відповідно високим стандартам якості і здатні збільшити продуктивність вашого електроінструменту. Використовуючи ці приналежності, ви отримаєте найкраще з вашого інструменту.

## Специфікації

STGB3715	
Напруга	220-240V
Частота	50/60Hz
Потужність	373W
Швидкість без навантаження	2950/хв. (rpm)
Діаметр круга	152 мм (6")
Шнур	1 м
Вага	8,6kg

## Інформаційна служба

STANLEY пропонує повну мережу авторизованих сервісних центрів, що належать компанії. Всі сервісні центри STANLEY укомплектовані персоналом, який пройшов навчання, щоб надати клієнтам ефективний і надійний сервіс з обслуговування електроінструментів. Для отримання додаткової інформації про авторизовані сервісні центри або якщо вам потрібна технічна рада, ремонт або оригінальні запасні частини, вам необхідно звернутися в найближчий сервісний центр STANLEY.

$L_{pA}$ (тиск звуку)	dB(A)	58,0
$K_{pA}$ (мінливість тиску звуку)	dB(A)	3
$L_{WA}$ (потужність звуку)	dB(A)	72,5
$K_{WA}$ (мінливість потужності звуку)	dB(A)	3

**Повна гарантія терміном на два роки**

Роздільний збір і утилізація. Цей продукт не слід утилізувати разом з побутовим сміттям.

Якщо ви зрозумієте, що ваш продукт Stanley потребує заміни, або якщо він не має ніякого подальшого застосування для вас, не викидайте його разом з побутовими відходами. Надайте цей продукт для роздільного збору/утилізації.



Роздільний збір продуктів і упаковок дозволяє здійснити їх переробку і використати їх повторно. Повторне використання перероблених

матеріалів допомагає захищати довкілля від забруднення і знижує витрату сировинних матеріалів.

Місьцеве законодавство може забезпечити збір старих електроінструментів окремо від побутового сміття на муніципальних звалищах відходів або в торговому підприємстві при купівлі нового виробу. Stanley забезпечує можливість для збору і утилізації продуктів Stanley, як тільки вони досягли кінця свого терміну служби. Для того, щоб скористатися цією послугою, ви можете здати ваш виріб у будь-який авторизований сервісний центр, який збирає їх за нашим дорученням.

Ви можете упізнати місце знаходження вашого найближчого авторизованого сервісного центру, звернувшись в місьцеве відділення Stanley за адресою, вказаною в цьому керівництві. Крім того, список авторизованих ремонтних агентів Stanley і повну інформацію про наше післяпродажне обслуговування і контакти ви можете знайти в Інтернеті: [www.2helpu.com](http://www.2helpu.com)10

**Декларація про відповідність**

Директива по машинному обладнанню



STGB3715

STANLEY заявляє, що ці продукти описано в розділі "Технічні дані" відповідно до:

2006/42/EC, EN 61029-1, EN 61029-2-4

Ці продукти також відповідають Директиві 2014/30 / EC та 2011/65 / EC. Для отримання більш детальної інформації, будь ласка, зв'язатися STANLEY за адресою або зверніться до Задня частина керівництва.

Нижчепідписаний несе відповідальність за складання технічних даних і робить цю заяву від імені Стенлі.

R.Laverick  
головний інженер

STANLEY, Європа, Egide Walschaertsstraat14-18,  
2800 Меделен, Бельгія  
01,2015

## Два рік повної гарантії

Якщо ваш продукт STANLEY виходить з ладу із-за дефектних матеріалів або виготовлення впродовж 24 місяців з дати купівлі, STANLEY Europe гарантує заміну усіх несправних деталей безкоштовно або - на власний розсуд - заміну продукту безкоштовно за умови, що:

- Продукт використовувався правильно, його експлуатація проводилася строго відповідно до інструкції з експлуатації.
- Продукт піддавався звичайному зносу;
- Ремонт не проводився сторонніми особами;
- Представлені документи, що підтверджують купівлю.
- Продукт STANLEY повертається в повному комплекті з усіма оригінальними компонентами

Якщо ви хочете зробити заявку, зв'яжіться з продавцем або з'ясуйте місце знаходження вашого найближчого авторизованого сервісного агента Stanley в каталозі Stanley або зверніться в місцеве представництво Stanley за адресою, вказаною в цьому посібнику. Список авторизованих сервісних агентів Stanley і повну інформацію про наше післяпродажне обслуговування можна знайти в Інтернеті за адресою: [www.stanleytools.com](http://www.stanleytools.com)

**STANLEY**

Гарантійні умови

Шановний покупець!

1. Вітаємо Вас з покупкою високоякісного виробу STANLEY і висловлюємо вдячність за Ваш вибір.
2. При покупці виробу вимагайте перевірки його комплектності і справності у Вашій присутності, інструкцію з експлуатації та заповнений гарантійний талон українською мовою

В гарантійному талоні повинні бути внесені: модель, дата продажу, серійний номер, дата виробництва інструменту; назва, печатка і підпис торгової організації. За відсутності у Вас правильно заповненого гарантійного талону, а також при невідповідності зазначених у ньому даних ми будемо змушені відхилити Ваші претензії щодо якості даного виробу.

3. Щоб уникнути непорозумінь, переконливо просимо Вас перед початком роботи з виробом уважно ознайомитися з інструкцією з його експлуатації. Правовою основою справжніх гарантійних умов є чинне Законодавство. Гарантійний термін на даний виріб складає 24 місяці і обчислюється з дня продажу. У разі усунення недоліків виробу, гарантійний строк продовжується на період його перебування в ремонті. Термін служби виробу становить 5 років з дня продажу.
4. У разі виникнення будь-яких проблем у процесі експлуатації виробу рекомендуємо Вам звертатися тільки в уповноважені сервісні центри STANLEY, адреси та телефони яких Ви зможете знайти в гарантійному талоні, на сайті [www.2helpU.com](http://www.2helpU.com) або дізнатися в магазині. Наші сервісні станції - це не тільки кваліфікований ремонт, але і широкий асортимент запчастин і аксесуарів.
5. Виробник рекомендує проводити періодичну перевірку і технічне обслуговування виробу в уповноважених сервісних центрах.
6. Наші гарантійні зобов'язання поширюються тільки на несправності, виявлені протягом гарантійного терміну і викликані дефектами виробництва та \ або матеріалів.
7. Гарантійні умови не поширюються на несправності виробу, що виникли в результаті:
  - 7.1 Недотримання користувачем приписів інструкції з експлуатації виробу, застосування виробу не за призначенням, неправильного зберігання, використання приладдя, витратних матеріалів і запчастин, що не передбачені виробником.
  - 7.2 Механічного пошкодження (відколи, тріщини і руйнування) внутрішніх і зовнішніх деталей виробу, основних і допоміжних рукояток, мережевого кабелю, що викликані зовнішнім ударним або будь-яким іншим впливом

- 7.3 Потрапляння у вентиляційні отвори та проникнення всередину виробу сторонніх предметів, матеріалів або речовин, що не є відходами, які супроводжують застосування виробу за призначенням, такими як: стружка, тирса, пісок, та ін.
- 7.4 Впливу на виріб несприятливих атмосферних і інших зовнішніх факторів, таких як дощ, сніг, підвищена вологість, нагрівання, агресивні середовища, невідповідність параметрів електромережі, що зазначені на інструменті.
- 7.5 Стихійного лиха. Пошкодження або втрати виробу, що пов'язані з непередбаченими лихами, стихійними явищами, у тому числі внаслідок дії непереборної сили (пожежа, блискавка, потоп і інші природні явища), а також внаслідок перепадів напруги в електромережі та іншими причинами, які знаходяться поза контролем виробника.
8. Гарантійні умови не поширюються:
  - 8.1 На інструменти, що піддавалися розкриттю, ремонту або модифікації поза уповноваженим сервісним центром.
  - 8.2 На деталі, вузли та матеріали, що мають сліди природного зносу, такі як: приводні ремені і колеса, вугільні щітки, мастило, підшипники, зубчасті зчеплення редукторів, гумові ущільнення, сальники, направляючі ролики, муфти, вимикачі, бойки, штовхачі, стволи тощо.
  - 8.3 На змінні частини: патрони, цанги, затискні гайки і фланці, фільтри, акумуляторні батареї, ножі, шліфувальні підшви, ланцюги, зірочки, пильні шини, захисні кожухи, пилки, абразиви, пильні і абразивні диски, фрези, свердла, бури тощо
  - 8.4 На несправності, що виникли в результаті перевантаження інструменту (як механічного, так і електричного), що спричинили вихід з ладу одночасно двох і більше деталей і вузлів, таких як: ротора і статора, обох обмоток статора, веденої і ведучої шестерень редуктора або інших вузлів і деталей. До безумовних ознак перевантаження виробу відносяться, крім інших: поява кольорів мінливості, деформація або оплавлення деталей і вузлів виробу, потемніння або обуглювання ізоляції проводів електродвигуна під впливом високої температури.



Виробник:

"Stanley Black & Decker Deutschland GmbH" Black-&-Decker Str.40, D-65510 Idstein, Німеччина



## Names & Addresses for STANLEY Service Concessionaries - MIDDLE EAST & AFRICA

**ALGERIA:** Sarl Outillage Corporation, 08 Rue Med Boudiaf - Cheraga - Algiers, Algeria. Tel: (213-21) 375130, Fax: (213-21) 369667. **ANGOLA:** Angoferraria, Lda., Rua Robert Shields, No. 61, Luanda, Angola. Tel: 00244-222-395837 / 222-395034, Fax: 00244-222-394790. **AZERBAIJAN:** Royalton Holdings Ltd. 41 Khagani St. Apt. 47 AZ 1001, Baku. Tel: (994-12) 4935544, Fax: (994-12) 5980378. **BAHRAIN:** Kavalani & Sons W.L.L., P.O. Box 71, Sitra, Manama, Tel: (973) 17732888, Fax: (973) 17737379. Alfouz Services Co. W.L.L., P.O. Box 26562, Tubli, Manama. Tel: (973) 17783562, Fax: (973) 17783479. **Egypt:** El Farab S.A.E., 15-Nabil El Wakkad Street, Dokki, Giza, Egypt. Tel: 00202-37603946 / 002-010-2582544, Fax: 00202-33352796. **ETHIOPIA:** Seif Tewfik Sherif, Arada Sub-City, Kebele 01/02, Global Insurance Building, 2nd Floor, Room 43, P.O. Box 2525, Addis Ababa, Ethiopia. Tel: (251-11) 1563968/ 1563969, Fax: (251-11) 1558009. **IRAQ:** Financial Links, Kazzaz Building Ararat Al-Hindia Block No: 629 Street: 31 Building No: 1 Baghdad - Iraq. Tel: 00964 (0)780 195 2223/ 00964 (0)781 3763044. Al Sard Co. for General Trading Ltd. Jbara Bldg. 3Flr, Al Rasheed St. Bagdad. Tel: (964) 18184102. Sakhar Group, Arrasat al-hindya Al Masbah, Baghdad. (964) 7400144446. **JORDAN:** Palestine Bldg. Matl. (Bashiti Hardware), 93 King Abdullah 2nd Street. Opp. ELBA House, P.O. Box 3005, Amman 11953, Tel: (962-6) 5349098, Fax: (962-6) 5330731. **KENYA:** Dextron Tools Ltd., P.O. Box 20121-00200, Shariff House, Kimathi Street, Nairobi. Tel: (254-20) 6905000/ 2358021, Fax: (254-20) 6905111/ 6905112. **KUWAIT:** Al Omar Technical Co., P.O. Box 4062, 13041 Safat, Kuwait. Tel: (965) 24848595/ 24840039, Fax: (965) 24845652. Fawaz Al Zayani Establishment, P.O. Box 42426, Shop No. 18, Al Humaizi Commercial Complex, Khalifa Al Jassim, Shuwaikh, Kuwait. Tel: (965) 24828710, Fax: (965) 24828716. Fawaz Al Zayani Establishment, P.O. Box 42426, Shop No.18, Al Humaizi Commercial Complex, Khalifa Al Jassim, Shuwaikh, Kuwait. Tel: (965) 24828710, Fax: (965) 24828716. Fawaz Al Zayani Establishment, Fahaheel Industrial Area, Main St., Sanaya, Kuwait. Tel: (965) 23925830, Fax: (965) 24828716. **LEBANON:** Est. Shaya & Azar S.A.R.L., Boulevard Jdeideh - Mar Takla - Bouchrieh. P.O. Box 90545 Jdeideh.Beirut - Lebanon. Tel: 00961 1 872305 / 306 , Fax: 00961 1 872303. **LIBYA:** North Africa Trading ( El Ghoul Brothers), AlHilal Service Center Tawergha St. Misurata. Tel: 00218-091-3221408. **(Benghazi)** Sniydal st., Amr Ibn El-Aas Rd. Tel: (+218) 92 5771120. **(Tripoli)** Al Barniq Service Center, Mokhazin elskar st., ElFallah. Tel: (+218) 21 4808019. **(Misrata)** Al Hilal Service Center, Tawergha st. Tel: (+218) 51 2626743. **MAURITIUS:** Robert Le Marie Limited, Old Moka Road, Bell Village, P.O. Box 161, Port Louis, Tel: 00230-212 1865/ 212 2847, Fax: 00230-2080843. **MOROCCO:** Ets Louis Guillaud & Cie, 149, Quartier Industriel, Moulay Rachid, Casablanca, Postal Code 20450, Morocco. Tel: 00212-522729233, Fax: 00212-522729096. **NIGERIA:** Meridian Power Tools Ltd., Gr.Floor, #1 Alhaji Masha Rd, Next to Teslim Balogun Stadium, Near National Stadium Surulere, Lagos, Nigeria. Tel: 00234-1-7740431 / 7740410, Fax: 00234-1-7913798. **OMAN:** Al Jizzi Company LLC, P.O. Box 1704, PC 112 Ruwi, Oman. Tel: (968) 24832618/ 24835153, Fax: (968) 24831334/24836460. Al Hassan Technical & Construction Supplies Co. LLC, P.O. Box 1948, P.C. 112, Ruwi, Tel: (968) 24810575 / 24837054, Fax: (968) 24810287/ 24833080. Oman Hardware Co. LLC, P.O. Box 635, Ruwi Postal Code 112, Tel: (968) 24815131, Fax: (968) 24816491. Khimji Ramdas, P.O. Box 19, Post Code 100, Ghala, Muscat, Oman. Tel: (968) 24595906/ 907, Fax: (968) 24852752. Oman Marketing & Service Co. (Omasco), P.O. Box 2734, Behind Honda Showroom, Wattayah, Oman. Tel: (968) 24560232/ 24560255, Fax: (968) 24560993. Oman Marketing & Service Co. (Omasco), Al Ohi, Sohar, Oman. Tel: (968) 26846379, Fax: (968) 26846379. Oman Marketing & Service Co. (Omasco), Sanaya, Salalah, Oman. Tel: (968) 23212290, Fax: (968) 23210936. **PAKISTAN:** ZIT Co - Nasir & Bros., 2nd Floor, Qadri Center, Chokwal Dargan Railway Road, Lahore, Pakistan. Tel: 0092 42 37670839, Fax: 0092 42 37652989. Ammar Service & Spares, 60-Bank Arcade, Serai Road, Karachi, Pakistan. Tel: (92-21) 32426905, Fax: (92-21) 32427214. **QATAR:** Teyseer Industrial Supplies & Services Co. W.L.L, 55, Al Wakalat St. (Between St. 18 & 19) Salwa Industrial Area, P.O. Box 40523 Doha, Qatar. Tel: (974) 44581536, Fax: (974) 44682024. Shaheen Electrical Works & Trading Co. W.L.L, Gate 34, St. 44 Industrial Area P.O. Box 9756, Doha, Qatar. Tel: (974) 44600230 / 44600525, Fax: (974) 44601338. Al Mufah Service Centre, Al Wakrah Road, P.O. Box 875, Doha, Qatar. Tel: (974) 44650880/ 44650110/ 44446868, Fax: (974) 44441415 / 44662599. **SAUDI ARABIA: (Al Bahr)** Mohamed Ahmed Bin Afif Est., P.O. Box 530, Yanbu, Al Bahr. Tel: (966-4) 3222626/ 3228867, Fax: (966-4) 3222210. **(Al Khobar)** Fawaz Ebrahim Al Zayani Trading Est., P.O. Box 76026, Al Khobar # 31952, Tel: (966-3) 8140914, Fax: (966-3) 8140824. MSS (Al-Mojil Supply & Services) P.O. Box 450, Jubail 31951, Opp. Gulf Bridge Library & Riyadh House. Tel: (966-3) 3612850/ 3624487/ 3621729, Fax: (966-3) 3623589/ 3620783. **(Dammam)** MSS (Al-Mojil Supply & Services), P.O. Box 450, Jubail 31951, Opp-Gulf Bridge Library & Riyadh House. Tel: (966-3) 3612850 / 3624487 / 3621729, Fax: (966-3) 3623589 / 3620783. **(Al Bawardi Tools & Hardware)**, P.O. Box 112, Dammam, Tel: (966-3) 8330780 Ext.24 / 8348585 Ext. 24 / +966-3-8335555, Fax: (966-3) 8336303. **(Al Hassa)** Mutawa Trading & Gen. Services, Maliki road Hafuf city, Al Hassa, KSA. Tel: (966) 502846275 **(Jeddah)** Al Bawardi Tools & Hardware, P.O. Box 16905, Jeddah 21474, Tel: (966-2) 6444547 / 6439035 / 6456095, Fax: (966-2) 6439024. EAC (Al Yousef Contg. & Trdg. Est.), P.O. Box 30377, Jeddah -21477, Tel: (966-2) 6519912, Fax: (966-2) 6511153. **(Madina)** Garziz Trading for Bldg Mat & Decoration, P.O. Box 3364, Madina. Tel: (966-4) 826 14 90 / 8227636, Fax: (966-4) 8265741. **(Riyadh)** Industrial Material Organization (IMO), P.O. Box 623, Rial Street, Riyadh, Tel: (966-1) 4028010 Ext 26 / 8001245757, Fax: (966-1) 4037970. Sultan Garment Factory (RSC), P.O. Box 29912, Riyadh 11467, KSA, Tel: (966-1) 4055148 / 4042889, Fax: (966-1) 4055148. Al Bawardi Tools & Hardware, P.O. Box 68, Riyadh 11411, Tel: (966-1) 4484999, Fax: (966-1) 4487877. **(Yanbu)** Fawaz Ebrahim Al Zayani, Opposite to Al Fouzan, Jeddah highway or King Abdul Aziz road, Yanbu. Tel: (966-4) 3960980, Fax: (966-4) 3961980. Mohamed Ahmed Bin Afif Est., P.O. Box 530, Yanbu, Al Bahr, Tel: (966-4) 3222626/ 3228867, Fax: (966-4) 3222210. **SOUTH AFRICA:** Stanley Black & Decker - RSA, 199 Winetree Drive Stormill Exit 9 Rooodepoort. Tel: (2711) 472 0454, Fax: (2711) 472 0482. Trevco Power Tool Service 14 Steenbok Street, Koedoespoort, 0186, Pretoria, South Africa. Tel: (27-86) 1873826, Fax: (27-86) 5001771. **TANZANIA:** General Motors investment Ltd., P.O. Box 16541, 14 Nyerere Road, Vingunguti, Dar-es-Salaam. Tel: (255 22) 2862661/ 2865022, Fax: (255 22) 2862667. **TUNISIA:** Societe Tunisienne De Maintenance (STM), Rue de la Physique. Nouvelle Zone Industrielle Ben Arous., 2013 Ben Arous, Tunisia. Tel: (+216) 79 389687, Fax: (+216) 71 385154. **UAE: (Abu Dhabi)** Light House Electrical, P.O. Box 120, Abu Dhabi. Tel: (971-2) 6726131, Fax: (971-2) 6720667. Galaxy Equipment Trading, Madinat Zayed (Baada Zaid), Abu Dhabi P.C. 58910, Tel: (971-2) 8844279, Fax: (971-2) 8844297 **(Ajman)** Al Sukoon Gen. Trdg. Co. LLC, P.O. Box 2975, Ajman. Tel: (971-6) 7435725/ 7438317, Fax: (971-6) 7437350, Al Sukoon Gen. Trdg. Co. LLC, P.O. Box 2975, Ajman, Tel: (971-6) 7435725 / 7438317, Fax: (971-6) 7437350 **(Al Ain)** Zillion Equipment and Spare Parts Trading LLC, P.O. Box 19740, Opp. Bin Sada/ Trimix Redymy Sanaiya, Al Ain. Tel: (971-3) 7216690, Fax: (971-3) 7216103. **(Dubai)** Black & Decker (Overseas) GmbH, P.O. Box 5420, Dubai. Tel: (971-4) 8127400/ 8127406, Fax: (971-4)2822765. Ideal Star Workshop Eqp't.Trading LLC, P.O. Box 37116, Al Quoz, Dubai. Tel: (971-4) 3474160, Fax: (971-4) 3474157, Fine Tools, P.O.Box 30139, Al Quoz, Dubai, Tel: (971-4) 3385240, Fax: (971-4) 3385239, Albreah Engineering Service, P.O. Box 78954, Al Qusais , Dubai. Tel: (971-4) 2850044, Fax: (971-4) 2848402. **(Musafah)** Light House Electrical, P.O. Box 120, Abu Dhabi. Tel: (971-2) 5548315, Fax: (971-2) 5540461. **(Sharjah)** Mc Coy Middle East LLC, P.O. Box 25793, Sharjah, Tel: (971-6) 5395931, Fax: (971-6) 5395932. Burj Al Madeena, Industrial Area No.1, Opp. Pakistani Masjid, P.O. Box 37635, Sharjah. Tel: (971-6) 5337747, Fax: (971-6) 5337719. Burj Al Madeena , Industrial Area No 1, opp Pakistani Masjid P.O. Box 37635, Sharjah, Tel: (971-6) 5337747, Fax: (971-6) 5337719 **(Ras Al Khaimah)** Mc Coy Middle East LLC, P.O. Box 10584, Ras Al Khaimah, Tel: (971-7) 2277095, Fax: (971-7) 2277096. **UGANDA:** The Building Center (U) Ltd., 52 Station Road, Kitgum House, P.O. Box 7436, Kampala, Uganda. Tel: (256-41) 4234567/ 4259754, Fax: (256-41) 4236413. **YEMEN: (Aden)** Middle East Trad. Co. Ltd. (METCO), Mualla Dakka, Aden, Yemen. Tel: (967-2) 222670, Fax: (967-2) 222670. **(Sana'a)** Middle East Trad. Co. Ltd. (METCO), Hayel St., Sana'a, Yemen. Tel: (967-1) 204201, Fax: (967-1) 204204. **(Taiz)** Middle East Trading Co. (METCO), P.O. Box 12363, 5th Flr, Hayel Saeed Anam Bldg, Al-Mugamma St. Taiz, Yemen. Tel: (967-4) 213455, Fax: (967-4) 219869.